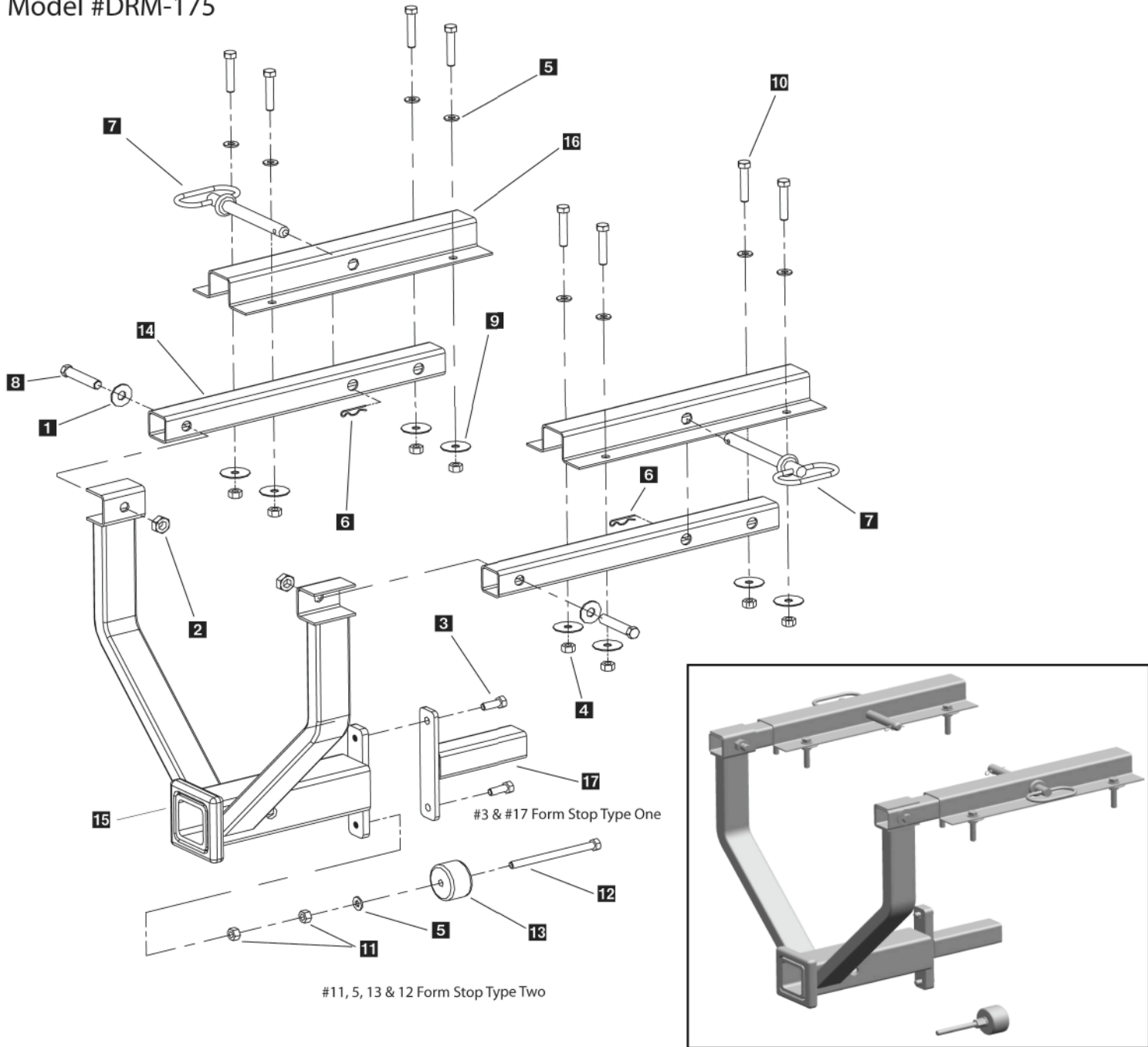


Drop Utility Mount Parts Breakdown

Model #DRM-175



Maximum Load Weight Not To Exceed 240 lbs. Gross

Key	Part No.	Description	Qty.	Key	Part No.	Description	Qty.
1	D4119	M12 Flat Washer	2	10	D6420	10x50 Truss Bolt Full Thread	8
2	D4120	M12 Lock Nut	2	11	D6421	M12 Hex Nut	2
3	D4121	12x40 Hex Bolt	2	12	D6422	12x120 Hex Bolt	1
4	D4124	M10 Lock Nut	8	13	D6423	Rubber Stopper	1
5	D4125	M12 Flat Washer	9	14	D6432	Mounting Rail	2
6	D4135	Hair Pin Clip	2	15	D6434	Drop Mount Weldment	1
7	D4136	Hitch Pin	2	16	D6435	Mounting Rail Hat Section	2
8	D6246	12x70 Hex Bolt	2	17	D6436	Mule Adapter	1
9	D4318	M10 Penny Washer	8				