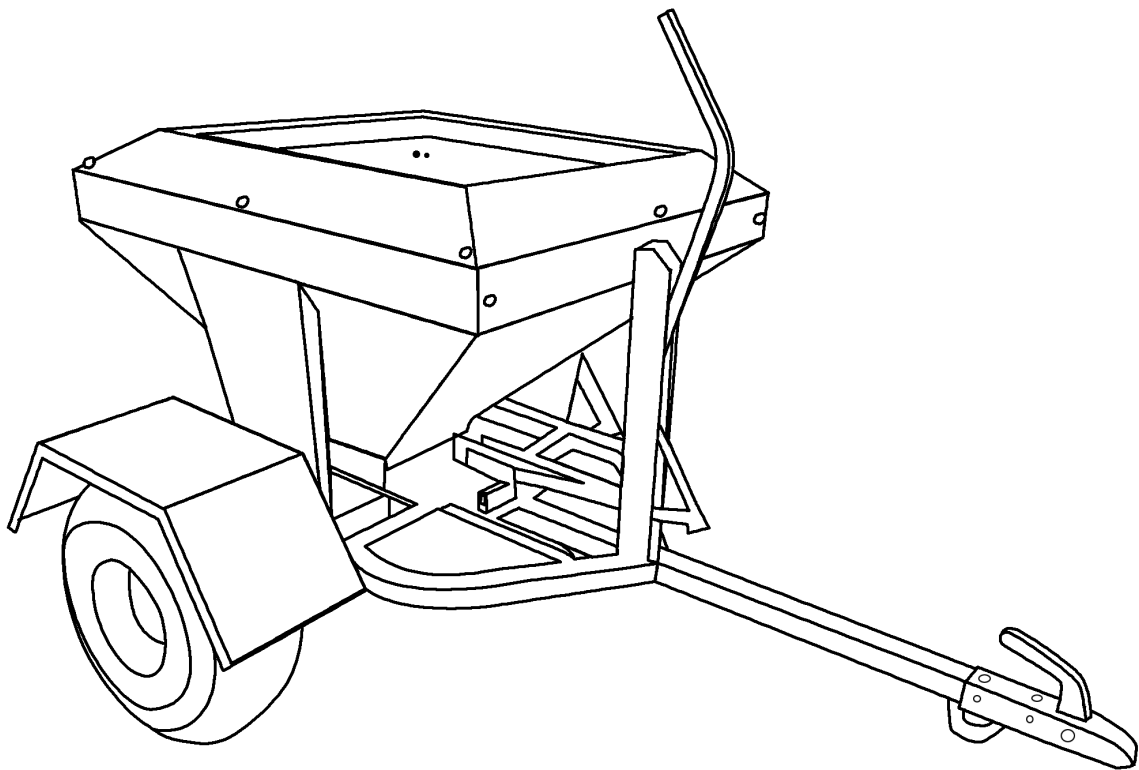




A Broadwood International Product

Operation Manual and Parts Book

Wessex SF350 Stock Feeder



Product Code: L2024



Manufacturers and Distributors of Quality Equipment



Issue August 2011

CONTENTS

Welcome to your new Wessex Machine	1
Safety Decals	2
Important ATV Safety Warnings	3, 4
Warranty	5
Coupling up to your ATV	6
Calibration	6
Operation	7
Warning	7
Specifications	7
Maintenance	8
CE Certificate	9

WELCOME TO YOUR NEW WESSEX PRODUCT

Thank you for purchasing a Wessex product. As a Broadwood customer, you now number among the most important people of our business and we will endeavour to give you the best service available through our dealer network.

Please read this Manual carefully and familiarise yourself and other persons that will be using the machine with its contents, to ensure the optimum performance and working life of your machine. It is advisable that a copy of this Manual is kept in the workshop and one copy with the machine. Further copies are available through your dealer.

On delivery, your dealer should go through the workings of the machine with you, explaining the setting up procedures, all of which are contained in this manual for further reference. The Warranty Registration Form must also be completed and returned to us **within 7 days of delivery** in order to validate the Warranty.

**PLEASE READ THE FOLLOWING PAGES CAREFULLY BEFORE USING YOUR MACHINE
AND KEEP THIS MANUAL IN A SAFE PLACE.**



**THIS SAFETY SYMBOL IS TO ALERT OPERATORS OF A HAZARD
THAT MAY RESULT IN INJURY.
ALWAYS FOLLOW INSTRUCTIONS CAREFULLY**

SAFETY DECALS



- GB **ATTENTION** Description of pictograms.
 F **ATTENTION** Description des pictogrammes.
 D **VORSICH** Beschreibung der piktogramme.



- GB Read Operating manual before use.
 F Lisez Manual D'Opération avant l'utilisation.
 D Vor der Benutzung, Betriebshandbuch lesen.



- GB Protective eyewear, footwear, gloves and ear protectors must be worn.
 F Lunettes de protection, chaussures gants, protégés-oreilles doivent être portés.
 D Schutzbrille, schuhe, handschuhe und Gehörschutz getragen werden muss.



- GB It is the operators responsibility to ensure that the machine is compatible with the loading capacity of the towing vehicle.
 F Il est de la responsabilité des opérateurs afin de s'assurer que la machine est compatible avec la capacité de chargement du véhicule tracteur.
 D Es ist den Betreibern dafür zu sorgen, dass die Maschine mit der Belastbarkeit des Zugfahrzeugs ist.



- GB Never carry passengers on implements unless designed to do so.
 F Ne jamais transporter des passagers sur instruments sauf s'ils sont conçus pour le faire.
 D Niemals Passagiere implementiert, es sei denn ausgelegt, dies zu tun.

IMPORTANT ATV SAFETY WARNINGS

READ THE FOLLOWING CAREFULLY

IMPORTANT SAFETY INSTRUCTIONS ON COUPLING IMPLEMENTS AND ATTACHMENTS TO ATV'S



TRAINING

- It is most essential that all operators of ATV.'s are trained by a certified training organisation.
- It is strictly forbidden that any person under 16 years of age should ride an ATV.
- Any person 17 years of age must have had training before towing a trailer with an ATV.
- Contact your local HSE office for approved training courses.

BODY PROTECTION

- Remember that when riding on an ATV the only form of protection that you have is what you wear. **ALWAYS** wear a helmet, eye protection and suitable robust clothing.
- Never operate an ATV or attachments while under the influence of alcohol or non-prescription drugs.
- Contact your doctor before operation of an ATV or attachments while under the influence of any prescription drugs.

ATV MANUAL

- Before coupling any implement to your ATV refer to your ATV handbook.

STABILITY

- When using equipment coupled to an ATV it is very important to remember that the handling characteristics of your ATV will change dramatically, whether the additional load is placed on the front or rear rack or trailed on the towing ball hitch.

WEIGHT CAPACITY

- Always ensure that the implement or attachment that you are coupling to the ATV is within the ATV's drawbar loading or weight carrying capacity. Refer to the ATV manufacturer's handbook to obtain information on the specific capacities.
- It is most important that you know the weight of your load, especially when on slopes or hillsides.
- As a guide, on level ground with an unbraked implement, the weight of the implement should be approximately no more than twice the unladen weight of the ATV. This should be reduced on sloping, uneven or rough ground.

WEIGHT TRANSFER

- Always take great care when towing loads which may be subject to weight transfer e.g. liquids or livestock, especially on hillsides and slopes.
- Always restrict the movement of animals or rolling objects in a trailer.

IMPORTANT ATV SAFETY WARNINGS

TOWING

- Never tow loads larger or heavier than recommended for your ATV. (See ATV hand book).
- Never tow or turn across a slope.
- Never tow down a steep slope with a large or heavy load.
- When towing heavy loads there is a significant risk of jack-knifing or overturning.

ROUGH TERRAIN

- Always take care when operating implements on rough terrain or uneven ground.
- Take special care when operating on slippery surfaces especially hill sides or slopes.
- Take extra care when towing on hillsides, slopes or rough terrain.

OPERATING ON ROADS

- Implements are not designed for travelling distances on roads but when crossing or going short road distances always travel slowly and do not exceed 20 KPH.
- Make sure that your equipment complies with Road Vehicle Lighting Regulations.
- Ensure that you have the correct insurance cover and comply with all relevant laws.

LOAD SECURITY

- Always secure your load firmly with ratchet straps.
- Make sure that your load is evenly; distributed.
- Never stack a high load, high loads increase the risk of overturning.

PASSENGERS

- Never carry passengers on any kind of implement or attachment, especially children.

MAINTENANCE

- Service your ATV and attachments as per the manufacturer's handbook. Regular servicing of your ATV will ensure that it will steer, stop and handle to its best ability and your attachment will operate as safely and effectively as possible. Regular servicing helps ensure the longest possible working life for your equipment.

EQUIPMENT SAFETY INSPECTION

- Check tyre pressure, incorrect tyre pressure can seriously affect the handling of your ATV. (See Operators handbook).
- Maintain your equipment regularly to keep it in safe working order.

ROUTE / RISK ASSESSMENT

- Assess and plan the route that you intend to travel to avoid any type of hazards i.e. rocks, boulders, ditches, hidden fences or wire, pot holes, low hanging branches or any other type of hazard.
- Where possible stay with a routine route to avoid hazards.
- The risk may change in wet or wintery conditions, avoid slopes where possible.

WARRANTY

Your Broadwood product or equipment is warranted free from defect in workmanship or manufacture for one year from date of purchase. Any parts which appear to us to be defective, either in material or workmanship shall be replaced or repaired at no cost to the purchaser, subject to the following conditions:

1. The registration card enclosed with this booklet must be returned to us within seven days of purchase.
2. Any failure in the machine should be reported in the first instance immediately to your dealer, who will act on your behalf to resolve the matter to your satisfaction.
3. The defective parts will be returned by your dealer to us, accompanied by a full statement describing the failure and the circumstances and conditions in which the failure occurred.
4. The following are specifically excluded from our terms of warranty:
 - a) Fair wear and tear, especially to belts, brushes, blades and spinners.
 - b) Damage to blades or brushes caused through incorrect positioning of the rotor (see instructions).
 - c) Damage caused by neglect or lack of lubrication.
 - d) Damage caused by misuse or abuse.
 - e) Damage caused whilst the machine is in transit.
 - f) Damage caused to the frame of the machine by running the machine with unbalanced rotors, blades or spinners.
 - g) Damage caused to the machine by use with loose nuts, bolts, screws or any other type of fittings.
5. The warranty is for the benefit of the first user only.
6. Broadwood International decisions will be final and binding.

Note:

It is recommended that every machine is inspected after one hour of operation to check that all nuts, bolts, screws or any other types of fixings are tight and any loose fixings or components should be rectified as appropriate.

Further inspections should be carried out at regular intervals thereafter.

COUPLING UP TO YOUR ATV

1. Reverse up to the ATV Stock Feeder, couple the ball hitch, ensure that the hitch is properly locked.
2. Never attempt to couple up when hopper is loaded.
3. The SF350 feeder is not designed for use on a leisure or sports bike it is only to be used on a bike of a minimum of 450cc capacity.



Before operating, ensure that the towing vehicle weight ratio is within HSE guidelines. See HSE leaflet AIS33. The weight ratio between the towing vehicle and towed implement needs to be assessed carefully, especially if towing with an ATV. As a guide, on flat ground a braked implement or trailer can be four times the weight of the unladen ATV. For an unbraked implement or trailer the maximum weight of the implement and load should not exceed twice the unladen weight of the ATV. When used on slopes or hill sides these weights should be reduced by 25% to 30% for stability.

CALIBRATION

Before using the feeder you will need to decide the size of the feed drops that you want to discharge. To do this, first make sure that the shutter handle is in the closed position (pulled forwards). Put a small amount of feed into the hopper, open the feed shutter (push handle towards the feeder) then drive forwards, the feeder will discharge drops of fee. To adjust the drop size simply remove the R Cup in the drum and either remove the drum insert completely for the largest drip size or turn the insert over for the smaller drop size.



OPERATION

Having set the designed drop size, ensure that the shutter is closed, fill the hopper with the desired feed. Drive carefully to the feeding area or field. To commence the feeding simply apply the brake on the ATV, demount and open the shutter by pushing the handle towards the feeder. Simply drive forwards slowly, do not exceed 10mph, the feeder drops will discharge evenly across the ground. When the desired amount of feed has been discharged, simply stop the ATV, apply the brake, dismount and close the shutter by pulling the handle forwards towards the drawbar.

(Forward speed of the feeder must not exceed 20mph when unloaded and 10mph when loaded).

WARNING

If the feeder is being operated on hilly or undulating ground conditions it is strongly recommended that you do a route risk assessment, and that you reduce the contents of the load by at least 25% to 30% and select your forward speed with caution. Never turn on or across a slope towing an implement.

SPECIFICATIONS

Width	1540mm (62")
Height	1200mm (46") low model and 1250mm (50") high model
Length	1500mm (62")
Unladen Weight	140kg low model and 150kg high model
Tyre Pressure	6-8 PSI
Drum Clearance	300mm (8")

MAINTENANCE

ON DELIVERY:-

- Visually inspect machine for damage.
- Check tyre pressure.
- Check all fasteners for tightness.

DAILY:-

- Check tyre pressure.
- Check machine for damage.

WEEKLY:-

- Grease axle bearings.
- Check tyres and rims for damage.
- Grease wheel bearings.

AFTER USE:-

- Wash down and inspect.

STORAGE:-

- Oil feed mechanism and store undercover.



Certificate of CE Conformity

Machine Model:

SF 350

Description:

Stock Feeder

*I hereby certify that the machine detailed hereon
conforms to:*

**European Directives 2008/42/EC
Supply of Machinery Regulations 2008
As amended 91/368EEC – 93/44EEC – 93/68EEC
HSE AIS 33**

Signed:

A handwritten signature in black ink, appearing to be "R. J. ...", written over a dotted line.

Quality Manager

Date:

NOVEMBER 2010



Broadwood International

Trading Estate, Oakhanger Road, Bordon. Hampshire GU35 9HH

Telephone: 01420 478111 Fax: 01420 483000

e-mail: sales@broadwoodintl.co.uk

www.broadwoodintl.co.uk



Manufacturers and Distributors of Quality Equipment

Broadwood International
Trading Estate, Oakhanger Road, Bordon, Hampshire. GU35 9HH

Telephone: 01420 478111 Fax 01420 483000
e-mail: sales@broadwoodintl.co.uk

www.broadwoodintl.co.uk
