



---

# Operation Manual and Parts Book

Wessex Country 1.25T Trailer



---

Product Code: L2027



Issue January 2016

## CONTENTS

---

Welcome to your new Wessex Product .....	1
Safety Decals .....	2
Important Safety Warnings .....	3
Warranty .....	4
Operating Instructions .....	5
Parts Illustration - Mainframe Assembly .....	6
Parts List - Mainframe Assembly .....	7
Parts List - Extension Side Set .....	8
CE Certificate .....	9

## **WELCOME TO YOUR NEW WESSEX PRODUCT**

---

Thank you for purchasing a Wessex product. As a Wessex customer, you now number among the most important people of our business and we will endeavour to give you the best service available through our dealer network.

Please read this Manual carefully and familiarise yourself and other persons that will be using the machine with its contents, to ensure the optimum performance and working life of your machine. It is advisable that a copy of this Manual is kept in the workshop and one copy with the machine. Further copies are available through your dealer.

On delivery, your dealer should go through the workings of the machine with you, explaining the setting up procedures, all of which are contained in this manual for further reference. The Warranty Registration Form must also be completed and returned to us **within 7 days of delivery** in order to validate the Warranty.

**PLEASE READ THE FOLLOWING PAGES CAREFULLY BEFORE USING YOUR MACHINE  
AND KEEP THIS MANUAL IN A SAFE PLACE.**



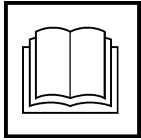
**THIS SAFETY SYMBOL IS TO ALERT OPERATORS OF A HAZARD  
THAT MAY RESULT IN INJURY.  
ALWAYS FOLLOW INSTRUCTIONS CAREFULLY**

## SAFETY DECALS

---



- GB **ATTENTION** Description of pictograms.  
F **ATTENTION** Description des pictogrames.  
D **VORSICH** Beschreibung der Piktogramme.



- GB Read Operating manual before use.  
F Lisez Manual D'Opération avant l'utilisation.  
D Vor der Benutzung, Betriebshandbuch lesen.



- GB Remove Tractors Bottom Link Arms before use.  
F Retirer les armes Tracteurs lien du bas avant de l'utiliser.  
D Entfernen Traktoren unteren Link Arms vor dem Gebrauch.



- GB Keep clear of unproped body.  
F Restez à l'écart du corps unproped.  
D Halten Sie Abstand von unproped Körper.



- GB Protective clothing must be worn.  
F Vêtements de protection doivent être portés.  
D Schutzkleidung getragen werden.

## IMPORTANT SAFETY WARNINGS

---



1. **ALWAYS** stand clear of unproped body.
2. **NEVER** tip body with people nearby, keep everybody (especially children and animals) at a safe distance.
3. **ALWAYS** remove Tractor bottom link arms while towing your Trailer from the pin hitch.
4. **NEVER** load your Trailer in excess of 1.25 Ton gross weight.
5. **NEVER** unhitch a loaded Trailer.
6. **NEVER** tow at above 30 kilometres per hour.
7. **ALWAYS** chock the wheels when parking the Trailer.
8. **NEVER** tip your trailer on sloping ground.

## WARRANTY

---

Your Wessex product or equipment is warranted free from defect in workmanship or manufacture for one year from date of purchase. Any parts which appear to us to be defective, either in material or workmanship shall be replaced or repaired at no cost to the purchaser, subject to the following conditions:

1. The registration card enclosed with this booklet must be returned to us within seven days of purchase. Alternatively if you prefer, you may register your product via our Website.  
<http://www.wessexintl.com/warranty-registration>
2. Any failure in the machine should be reported in the first instance immediately to your dealer, who will act on your behalf to resolve the matter to your satisfaction.
3. The defective parts will be returned by your dealer to us, accompanied by a full statement describing the failure and the circumstances and conditions in which the failure occurred.
4. The following are specifically excluded from our terms of warranty:
  - a) Fair wear and tear, especially to belts, brushes, blades and spinners.
  - b) Damage to blades or brushes caused through incorrect positioning of the rotor (see instructions).
  - c) Damage caused by neglect or lack of lubrication.
  - d) Damage caused by misuse or abuse.
  - e) Damage caused whilst the machine is in transit.
  - f) Damage caused to the frame of the machine by running the machine with unbalanced rotors, blades or spinners.
  - g) Damage caused to the machine by use with loose nuts, bolts, screws or any other type of fittings.
5. The warranty is for the benefit of the first user only.
6. Wessex International decisions will be final and binding.

**Note:**

**It is recommended that every machine is inspected after one hour of operation to check that all nuts, bolts, screws or any other types of fixings are tight and any loose fixings or components should be rectified as appropriate.**

**Further inspections should be carried out at regular intervals thereafter.**

## OPERATING INSTRUCTIONS

---

### HITCHING UP YOUR WESSEX TRAILER

---

1. Remove the Tractor Bottom link arms.
2. Reverse the Tractor so that the Trailer drawbar is between the clevis on your Tractor, if need be altering the height of the Trailer drawbar by adjusting the screw jack
3. Secure with a drawbar pin (not supplied) and retain with a linch pin.
4. Connect the hydraulic hose to Tractor tipping pipe.
5. Wind the parking jack into the fully raised position and turn until tight.

### USING YOUR TRAILER

---

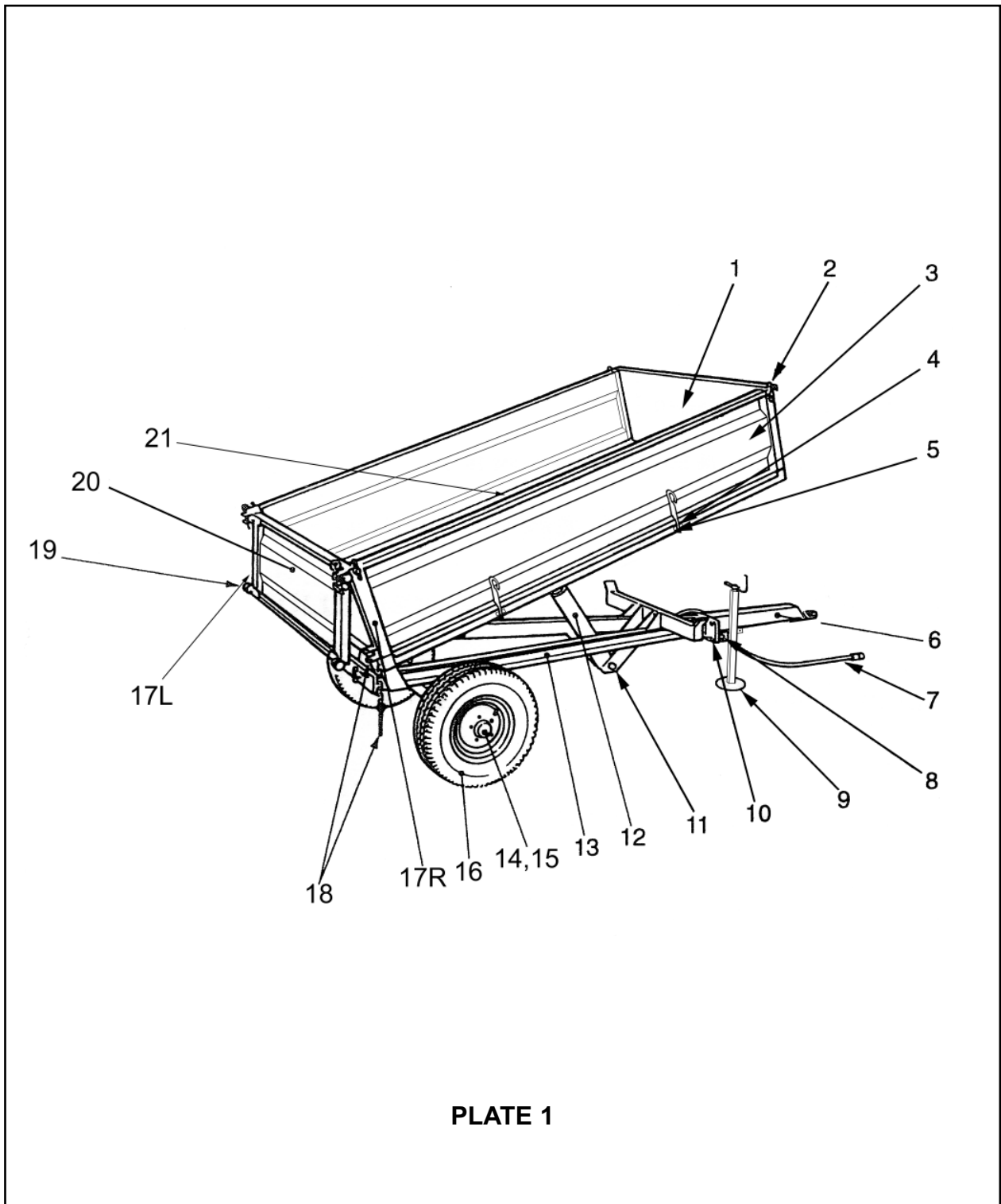
1. Take care not to turn the Tractor and Trailer on steep ground, especially when heavily loaded.
2. When loading aggregates and soil with a fore loader, take care to lower the load as much as possible before releasing it into the Trailer.
3. **Never park the Trailer with the body in the tipped position as this will cause corrosion to the Hydraulic ram.**
4. The optional Extension Side Set is supplied purely for use with light loads such as leaves, loose grass clippings and hedge prunings etc.
5. **Never use the extension Side Set to increase the volume of aggregates and heavy material.**
6. The Trailer rear corner posts, side boards and tailgate can be removed when loading bales etc.
7. When using your Trailer on the road always use the rear Lighting Kit and Parking Brake Assembly.

### MAINTENANCE

---

1. Periodically grease wheel bearings.
2. Periodically grease hinge pins.
3. Regularly grease the parking jack.
4. Tyre pressure for standard Trailer and Trailer with parking brake 65 psi max.
5. Tyre pressure for flotation tyres 22 psi max.

**PARTS ILLUSTRATION - TRAILER MAINFRAME ASSEMBLY - PLATE 1**

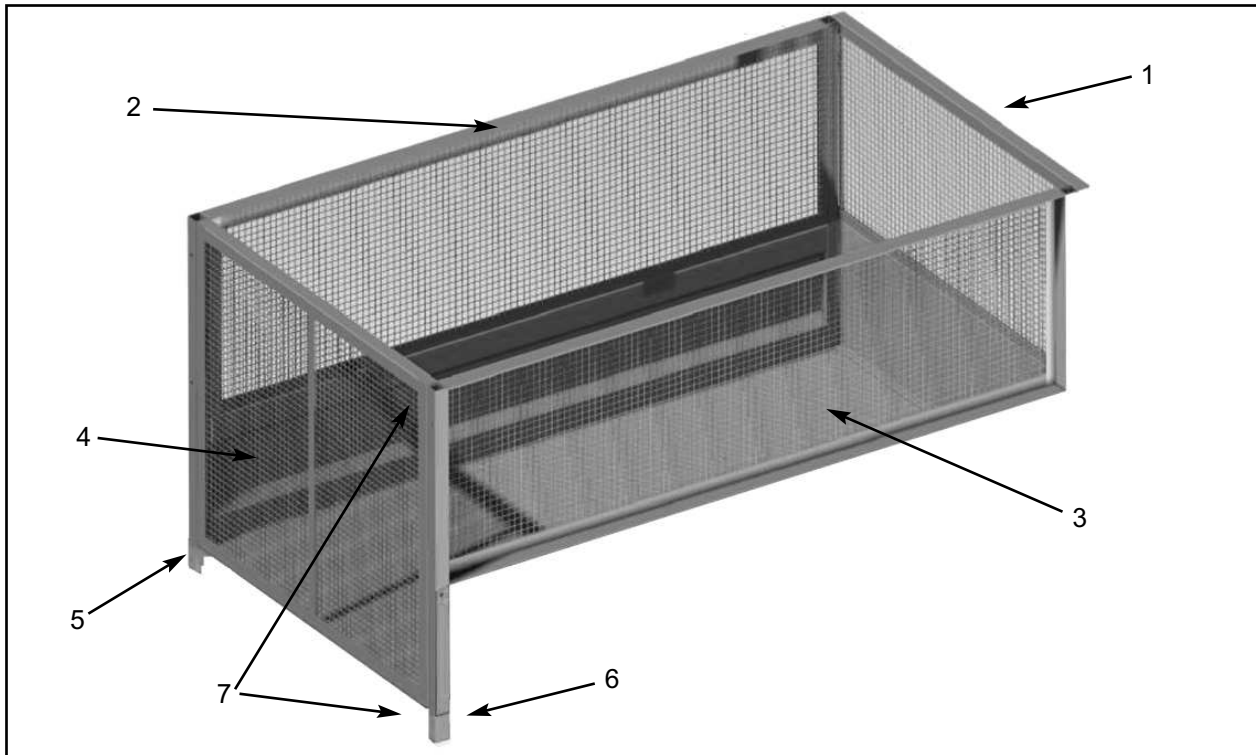




**PARTS LIST - TRAILER MAINFRAME ASSEMBLY - PLATE 1**

<b>Item No.</b>	<b>Part No.</b>	<b>Description</b>	<b>Qty. per Machine</b>
1	WX-14179	Head Board	1
2	WX-0530	Anti-Luce Lug	4
3	WX-13979	Side Board (Left and Right Hand)	2
4	WX-14279/50	Weld on Hinge Hook	4
5	WX-3703	Hinge Hook Fastening Set	1
6	WX-13479	Draw Bar	1
7	WX-0556	Hose Assembly	1
8	WX-1901	Fastening Set Jack Assembly	1
9	WX-0156	Jack Assembly	1
10	WX-19601	Fastening Set Draw Bar	1
11	WX-3202	Fastening Set Ram	1
12	WX-0456	Ram	1
13	WX-13279	Main Chassis	1
14	WX-14851	Hub	2
15	WX-10453	Hub Cap	2
16	WX-4852	Wheel Complete	2
16	WX-4152	Wheel Complete (After Serial No. 122161)	2
16	WX-4852B	Tube	2
16	WX-4852C	Tyre	2
16	WX-4152A	Tyre (After Serial No. 122161)	2
N/S	WX-7738	Inner Bearing	2
N/S	WX-7838	Outer Bearing	2
N/S	WX-2245	Hub Oil Seal	2
17L	WX-14279L	Left Hand Corner Post	1
17R	WX-14279R	Right Hand Corner Post	1
18	WX-0730	Forket C/W Cotter and Chain	4
19	WX-0630	Tail Board Lug	4
20	WX-14079	Tail Board	1
21	WX-13579	Main Body	1

**PARTS ILLUSTRATION - EXTENSION SIDE SET - PLATE 2**



**PARTS LIST - EXTENSION SIDE SET - PLATE 2**

Item No.	Part No.	Description	Qty. per Machine
1	WX-14379	Head Board Frame	1
2	WX-14479L	Left Hand Side Frame	1
3	WX-14479R	Right Hand Side Frame	1
4	WX-14679	Tail Gate	1
5	WX-14679L	Left Hand Corner Post	1
6	WX-14679R	Right Hand Corner Post	1
7	WX-0730	Cotter Pin and Chain	4
N/S	WX-32401	Fixing Set Complete	1



## *Certificate of CE Conformity*

**Machine Model:**

1.25 Ton

**Description:**

Hydraulic Tipping Trailer

*I hereby certify that the machine detailed hereon  
conforms to:*

**European Directives 2008/42/EC  
Supply of Machinery Regulations 2008  
As amended 91/368EEC – 93/44EEC – 93/68EEC  
HSE AIS 33**

**Signed:**

A handwritten signature in black ink, appearing to be 'R. J. ...', written over a dotted line.

Quality Manager

Date:

June 2011

### **Wessex International**

Charlton House, Caxton Place, East Portway Industrial Estate, Andover, Hampshire SP10 3QN  
Telephone: 01264 345870 Fax: 01264 345 880

[www.wessexintl.com](http://www.wessexintl.com)



**Wessex International**  
**Charlton House, Caxton Close, East Portway Industrial Estate, Andover Hampshire. SP10 3QN**  
**Telephone: 01264 345870 Fax 01264 345880**  
**e-mail: [sales@wessexintl.com](mailto:sales@wessexintl.com)**

**[www.wessexintl.com](http://www.wessexintl.com)**

---