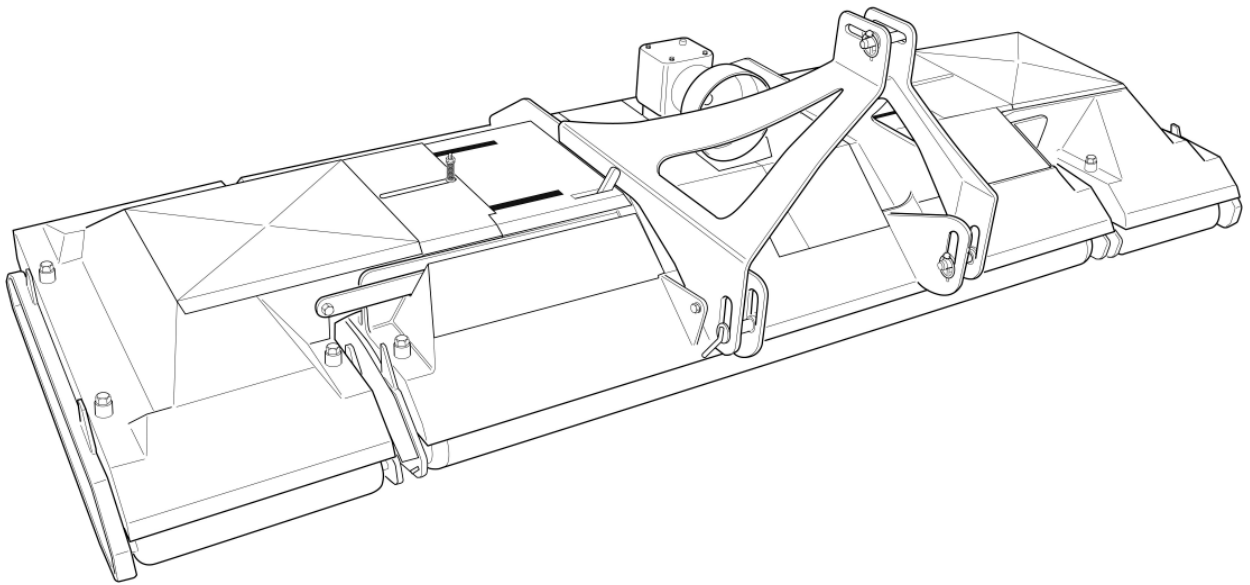




---

# Operation Manual and Parts Book

Wessex ProLine RMX360 Roller Mower And Fast Tow  
PG1000 Proglider Chassis



Product Code: 2029

Machines after serial No. 122018



Issue July 2015



# CONTENTS

---

Welcome to your new Wessex Product .....	2
Safety Decals .....	3,4
Important Safety Warnings .....	5
Warranty .....	6
Linking up to the Tractor .....	7
Using the Mower .....	7
Altering the Cutting Height / Maintenance .....	8
Belt Adjustment / Lubrication .....	9
Troubleshooting / Winter Storage .....	10
Belt Changing Sequence .....	11
Parts Illustration - Mainframe Assembly .....	12
Parts List - Mainframe Assembly .....	13, 14
Parts Illustration / Parts List - Offset Wing Assembly .....	15
Parts Illustration - Drive System .....	16
Parts List - Drive System .....	17
Parts Illustration / Parts List - RMX Rollers .....	18
Parts Illustration / Parts List - Guard Set .....	19
Parts Illustration - Spindles Assembly .....	20
Parts List - Spindles Assembly .....	21
PTO Shaft - Operation and Maintenance .....	22, 23
Specification .....	24
Notes .....	25
Hitching Up When fitted with ProGlider Wheel Gear .....	26
Operating The Machine / Travelling on the Public Highway .....	26
Maintenance / Winter Storage .....	27
Parts Illustration - ProGlider .....	28
Parts List - ProGlider .....	29, 30
Safety Training Induction .....	31
Daily Inspection Record .....	32
CE Certificate .....	33

## WELCOME TO YOUR NEW WESSEX PRODUCT

---

Thank you for purchasing a Wessex product. As a Wessex customer, you now number among the most important people of our business and we will endeavour to give you the best service available through our dealer network.

Please read this Manual carefully and familiarise yourself and other persons that will be using the machine with its contents, to ensure the optimum performance and working life of your machine. It is advisable that a copy of this Manual is kept in the workshop and one copy with the machine. Further copies are available through your dealer.

On delivery, your dealer should go through the workings of the machine with you, explaining the setting up procedures, all of which are contained in this manual for further reference. The Warranty Registration Form must also be completed and returned to us **within 7 days of delivery** in order to validate the Warranty.

**PLEASE READ THE FOLLOWING PAGES CAREFULLY BEFORE USING YOUR MACHINE  
AND KEEP THIS MANUAL IN A SAFE PLACE.**



**THIS SAFETY SYMBOL IS TO ALERT OPERATORS OF A HAZARD  
THAT MAY RESULT IN INJURY.  
ALWAYS FOLLOW INSTRUCTIONS CAREFULLY**

## SAFETY DECALS



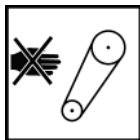
- GB **ATTENTION** Description of pictograms.  
 F **ATTENTION** Description des pictogrammes.  
 D **ACHTUNG** Beschreibung von Piktogrammen.



- GB Read Operating manual before use.  
 F Lire le Manuel d'utilisation avant l'utilisation.  
 D Vor Benutzung Betriebsanleitung lesen.



- GB Ear defenders must be worn.  
 F Porter des protections d'oreilles.  
 D Gehörschutz muss getragen werden.



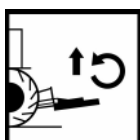
- GB Never remove guards or attempt adjustment until rotor has stopped.  
 F Ne jamais retirer les protections ni tenter des ajustements si les rotors sont en mouvement.  
 D Niemals Schutzvorrichtungen abnehmen oder eine Einstellung versuchen, bevor der Rotor stillsteht.



- GB Bystanders must be at least 20 metres from machine range of action.  
 F Les personnes présentes doivent s'écarter d'au moins 20 mètres du rayon d'action de la machine.  
 D Umstehende müssen mindestens 20 m vom Wirkungsbereich der Maschine entfernt sein.



- GB Stand clear. Flying objects possible.  
 F S'éloigner ! Possibilité d'objets volants.  
 D Zurückbleiben! Herumfliegende Objekte möglich.



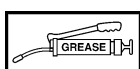
- GB Lift Machine before turning  
 F Soulever la machine avant les virages.  
 D Die Maschine vor dem Wenden anheben.



- GB Examine blades regularly. The operator is responsible for machine damage caused by unbalanced rotors.  
 F Examiner les lames régulièrement. L'opérateur est responsable des dommages à la machine provoqués par des rotors mal équilibrés.  
 D Die Messer regelmäßig untersuchen. Der Bediener ist für Maschinenschäden verantwortlich, die durch unwuchtige Spindeln entstehen.



- GB Keep hands and feet clear  
 F Ne pas approcher les mains et les pieds.  
 D Hände und Füße fernhalten.



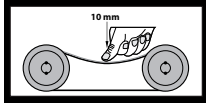
- GB Grease points  
 F Points de graissage.  
 D Schmierpunkte.

## SAFETY DECALS

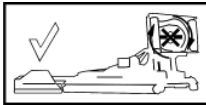
---



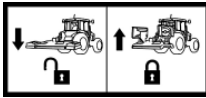
- GB Lifting Point  
F Point de levage.  
D Hebepunkt.



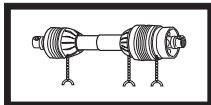
- GB **CORRECT BELT TENSION:** Check belt tension regularly: 10mm of belt deflection at thumb pressure between pulleys.  
F **TENSIONNEMENT CORRECT DE LA COURROIE :** Contrôler le tensionnement régulièrement : la déflexion de la courroie sous la pression du pouce entre les deux poulies doit être de 10 mm.  
D **KORREKTE RIEMENSANNUNG:** Riemen Spannung regelmäßig überprüfen: 10 mm Eindrücktiefe bei Daumendruck zwischen Riemenscheiben.



- GB **IMPORTANT:** Do not operate with the wings in the upright position.  
F **IMPORTANT:** Ne faites pas fonctionner avec l'aile élevée.  
D **WICHRIG:** Niemals arbeiten mit nach oben geöffneten Seiten.



- GB Always lock wings up when travelling on the highway.  
F Toujours verrouiller les ailes en place lorsque vous voyagez sur l'autoroute.  
D Immer sperren Flügel dich bei Fahrten auf der Autobahn.



- GB Safety Chains must be anchored tightly. Never allow chains to wrap round PTO shaft. Grease PTO shaft regularly.  
F Chaînes de sécurité doit être ancré solidement. Ne laissez jamais les chaînes à entourer le transmission. Régulièrement graisse le transmission.  
D Sicherheitsketten müssen fest verankert sein. Lassen Sie niemals Ketten zu runden Zapfwelle zu wickeln. Fett Gelenkwelle regelmäßig.

## IMPORTANT NOTICE

### FITTING PTO SHAFT TO MACHINE & TRACTOR

---

- All safety chains must be anchored tight enough to allow a small amount of movement, but not enough to wrap around the P.T.O. Shaft.
- Ensure that the shaft and guard is regularly greased to avoid overheating and to give lubrication.
- **Important:** Thoroughly read through the manufacturers instruction book before using the P.T.O. Shaft.

**P.T.O.Shafts are not covered by the Wessex Warranty.**

## IMPORTANT SAFETY WARNINGS

---



Wessex machines are guarded for your protection, but you must always observe certain elementary precautions. Machines are potentially **dangerous** and should be used with the greatest respect and **ALL OPERATORS MUST** read this manual and be aware of all safety precautions.

1. **NEVER** attempt any adjustment whatsoever, unless the machine is **COMPLETELY** at a standstill and the P.T.O. drive and blades have stopped turning.
2. **NEVER** attempt to clear any obstructions around the mower unless the machine is **COMPLETELY** at a standstill and the P.T.O. drive and blades have been stopped.
3. **NEVER** remove belt guards unless the machine is **COMPLETELY** at a standstill.
4. **NEVER** remove safety guards which are provided for your protection.
5. **NEVER** operate the mower with people around, keep everybody (especially children and animals) at a safe distance, **minimum 20 metres**.
6. Stand well back from the machine when cutters are spinning.
7. Regularly inspect the **BLADES AND FIXING BOLTS** to ensure that they are in excellent condition. Replace blades **IMMEDIATELY** if any signs of fracture or excess wear becomes apparent. Serious damage, which is excluded from our warranty conditions, may result from using your mower with an unbalanced rotor. When replacing blades, always fit new mounting bolts and nuts to ensure that the rotor is balanced and running smoothly.

### HEALTH AND SAFETY - Noise at Work Regulations

#### READING AT THE OPERATORS EAR RMX 360 mower: 94 D.B.A

Depending on conditions and material being cut, this reading may alter, it is therefore advisable for users to do their own assessment.



In compliance with the above regulations, Ear Protectors must be worn when operating machinery.

## WARRANTY

---

Your Wessex product or equipment is warranted free from defect in workmanship or manufacture for one year from date of purchase. Any parts which appear to us to be defective, either in material or workmanship shall be replaced or repaired at no cost to the purchaser, subject to the following conditions:

1. The registration card enclosed with this booklet must be returned to us within seven days of purchase. Alternatively if you prefer, you may register your product via our Website.  
<http://www.wessexintl.com/warranty-registration>
2. Any failure in the machine should be reported in the first instance immediately to your dealer, who will act on your behalf to resolve the matter to your satisfaction.
3. The defective parts will be returned by your dealer to us, accompanied by a full statement describing the failure and the circumstances and conditions in which the failure occurred.
4. The following are specifically excluded from our terms of warranty:
  - a) Fair wear and tear, especially to belts, brushes, blades and bearings.
  - b) Damage caused through incorrect adjustment (see instructions).
  - c) Damage caused by neglect or lack of lubrication.
  - d) Damage caused by misuse or abuse, including impact damage to blades.
  - e) Damage caused whilst the machine is in transit.
  - f) Damage caused to the frame of the machine by running the machine with unbalanced rotors, blades or spinners.
  - g) Damage caused to the machine by use with loose nuts, bolts, screws or any other type of fittings.
5. The warranty is for the benefit of the first user only.
6. Wessex International decisions will be final and binding.

**Note:**

**It is recommended that every machine is inspected after one hour of operation to check that all nuts, bolts, screws or any other types of fixings are tight and any loose fixings or components should be rectified as appropriate.**

**Further inspections should be carried out at regular intervals thereafter.**



## LINKING UP TO THE TRACTOR

---

1. Reverse your tractor up to the machine and connect the lower links, left hand first to the link pins on the machine, securing with lynchpins. Adjust the right hand tractor lift arm to ensure that the mower is level from side to side.
2. Connect the top link. The top link pin must be situated in the hole for transport, but in the slot when mowing as this will allow the machine to follow the ground contours well.
3. Connect the P.T.O. shaft ensuring that the shaft is not too long for the tractor. If necessary, the P.T.O. shaft may need to be shortened, (see instructions on pages 20 and 21). Always hook the P.T.O. chains onto the lugs provided and shorten the chains to suit. The P.T.O. chains must not encircle the P.T.O. guard, as this will cause premature P.T.O. guard damage and wear.
4. Tighten tractor check chains to prevent sideways movement of the mower.
5. **Ensure that the top link pin is in the centre of the slot on level ground for mowing and in the hole for transport.**
6. Connect the hydraulic pipe for the wing lifting cylinders.

## USING THE MOWER

---

Having linked your RMX mower up to the tractor and connected up the P.T.O. shaft and the hydraulic pipe for the wing cylinders, ensure that the mower is not too heavy for the tractor, if so you may need to fit front weights to the tractor.

When you first receive the mower, the wings will be locked in the transport position. Before lowering the wings ensure that there are no bystanders within 3 metres. Then take the weight off the wings by lifting to the up position on the tractors hydraulic controls, then release the wing locking catches by shifting them to the mowing position.

Slowly lower the wings down by using the tractors hydraulic controls. The correct P.T.O. speed is 540 RPM. Never use the mower in P.T.O. speeds in excess of this.

Ensure that there are no objects underneath the mower deck and that there are no bystanders within 20 metres around the mower before starting the mower up especially children and animals.

Having set the RMX mower up in accordance with the above instructions engage the P.T.O. and select a low forward speed and gently move forward. You will establish the optimum forward speed for your conditions by experience, but on regularly maintained grass you will achieve a good finish at 5-6 M.P.H.

When mowing always put the top link pin in the slot so that the mower will follow the ground contours well, and always put the pin into the hole for road transport.

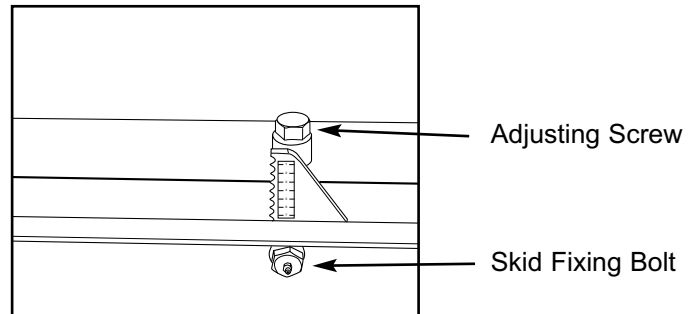
## ALTERING THE CUTTING HEIGHT

---

1. Lift the mower slightly off the ground on the hydraulic linkage and switch off the tractor.
2. Loosen, but do not remove the skid fixing bolts. There are two each side of the main deck and two each side of the wings.
3. Turn the adjusting screws anticlockwise to lower the rollers, thus increasing the cutting height, or clockwise to raise the rollers, thus reducing the height of cut. Ensure that all screws are adjusted by the same amount otherwise the cut will be uneven. There is a line of increments on the skid to assist in checking for even adjustment.

4. Tighten all skid fixing bolts.

5. Re-adjust the top link so that then the machine is on level ground the pin is in the centre of the slot.



## MAINTENANCE

---

To keep your RMX Roller Mower in excellent working condition we recommend that you follow this maintenance programme:-

### REGULARLY:-

- Lubricate your RMX as indicated in this manual.
- Check all drive belts for tension and replace if cut, frayed or worn.
- Inspect all blades regularly and replace any that are badly worn, chipped or broken.
- DO NOT RUN MACHINE WITH UNBALANCED ROTORS THIS WILL CAUSE DAMAGE (NOT COVERED BY WARRANTY).
- Inspect front and rear rollers and scraper wires.
- Regularly clean cut grass from under belt covers.

At the end of the grass cutting season always clean the RMX thoroughly and grease before winter storage.

Only use genuine Wessex parts in the event of replacing worn parts. This will ensure the continued safe use of your RMX Roller Mower and the validity of your warranty.

## LUBRICATION

---

### DAILY:-

- Grease Roller bearings.
- Inspect Blades

### WEEKLY:-

- Grease height adjustment points.
- Check Gearbox oil level.
- Lubricate all adjusting threads.
- Grease Cutter Spindle bearings.
- Grease P.T.O. Shaft bearings.
- Grease P.T.O. Tube slides.

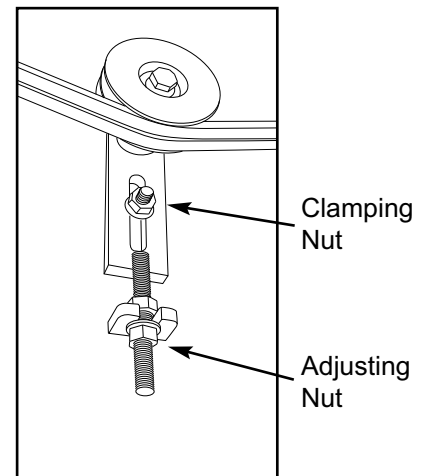
## BELT ADJUSTMENT

---

The drive belts are tensioned by adjusting the jockey pulleys. These are accessed by removing the belt guards. Loosen the locking nut (24mm spanner) securing the belt tensioner to the main frame and turn the adjuster nut clockwise to tighten or anti-clockwise to slacken the belts.

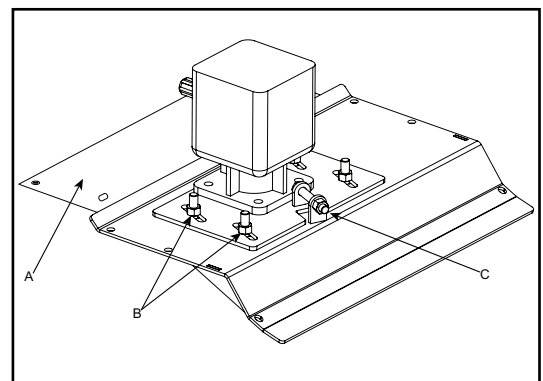
The correct belt tension is approximately 10mm of deflection under thumb pressure halfway between the pulleys.

To replace the belts simply slacken off all adjusters remove old belts and replace with only genuine spare parts. Retighten all tensioners and clamping nuts. New belts always stretch after 3-4 hours work. Retension all belts after 2-3 hours of work.



## CENTRE BELTS

- Remove central guard (A) to inspect belts.
- Loosen four bolts (B) over slots on Gearbox plate.
- Move gearbox backwards or forwards using adjuster (C) until there is approximately 10mm of belt deflection under thumb pressure.
- Re-tighten bolts (B).
- Replace central guard (A).



## TROUBLESHOOTING

---

<b>FAULT</b>	<b>CAUSE</b>	<b>REMEDY</b>
Leaving wheel track uncut	1. Forward speed too fast 2. Cutting height too high	Reduce forward speed Lower cutting height
Bad quality of cut	1. Forward speed too fast 2. Excessive blade wear 3. Belts slipping	Reduce forward speed Replace blades Tighten belts
Narrow strip uncut	1. Possibly missing or broken blade	Inspect blades and replace as necessary
Excessive vibration	1. Damaged or missing blades 2. Main spindle bearing failed 3. Loose part	Inspect and replace blades Inspect bearing, replace if damaged Check all nuts and bolts are tight
Excessive scalping	1. Cutting height too low	Raise cutting height.

## WINTER STORAGE

---

Before winter storage, the RMX Roller Mower should be thoroughly inspected:-

- Repair or replace any worn or broken parts.
- Check oil level in the gearbox. Top up or change with EP90 gear oil depending on hours of operation.
- Take special care to look at the blades, rotor and the bearings.
- Remove the belts and ensure that the rotor is free-spinning.
- Make sure that the belts are in good condition before re-fitting.
- Thoroughly wash the machine to remove all oil, grease, debris and materials.
- Grease all grease points before storage to avoid any corrosion.
- After pressure washing always run mower for a time to expell any water from bearings.

## CUTTING BLADES

---

- Inspect the Cutting blades regularly.
- Badly worn or broken blades will unbalance rotors causing vibration.
- **Do not use with unbalanced rotors.**
- Always replace blades on both ends of bars to avoid imbalance.
- Always lift machine and prop the machine up with axle stands. Never get underneath an unsupported machine.
- Replace blade tips using new nylock locking nuts every time.
- If you require mulching blades for your RMX they can be ordered from your Dealer. The Part Number for mulching blades is WX-10670.

## RMX 360 BELT CHANGING SEQUENCE

---

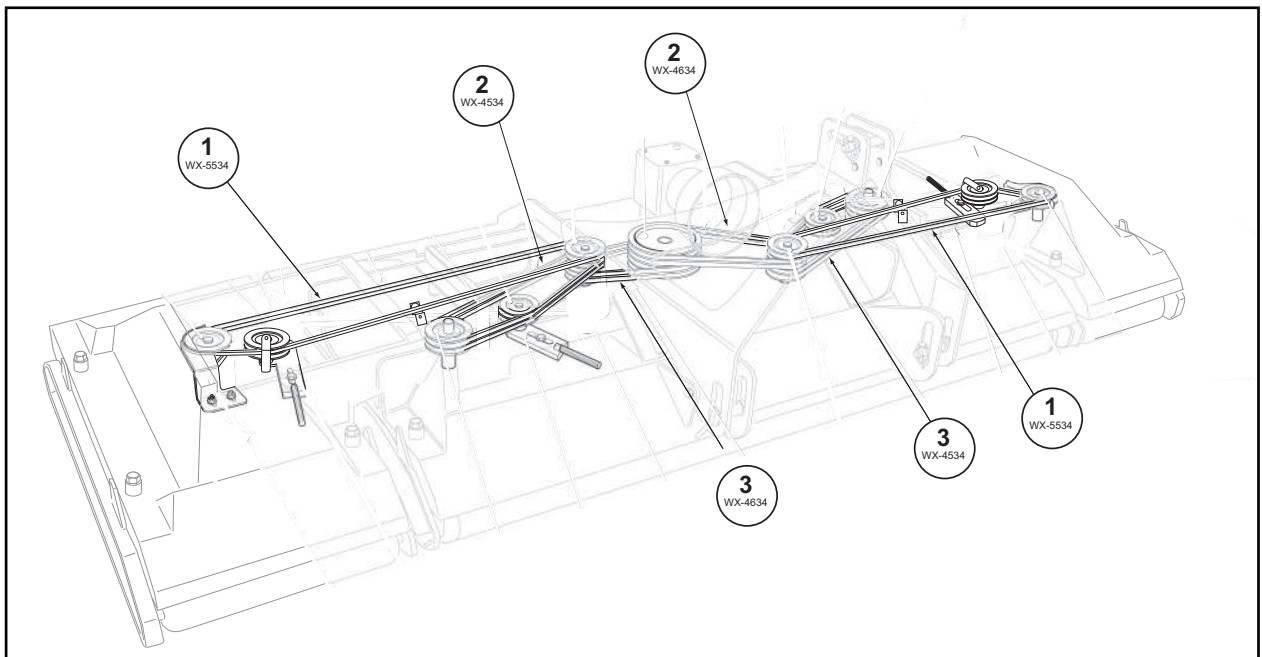
Changing the belt on the RMX 360 looks complicated, but if you follow the sequence it is not as complicated as it looks.

Having removed the guards take off all belt retainers. Then loosen off all belt tensioners and remove the belts from highest to lowest in the following sequence. (See diagram below).

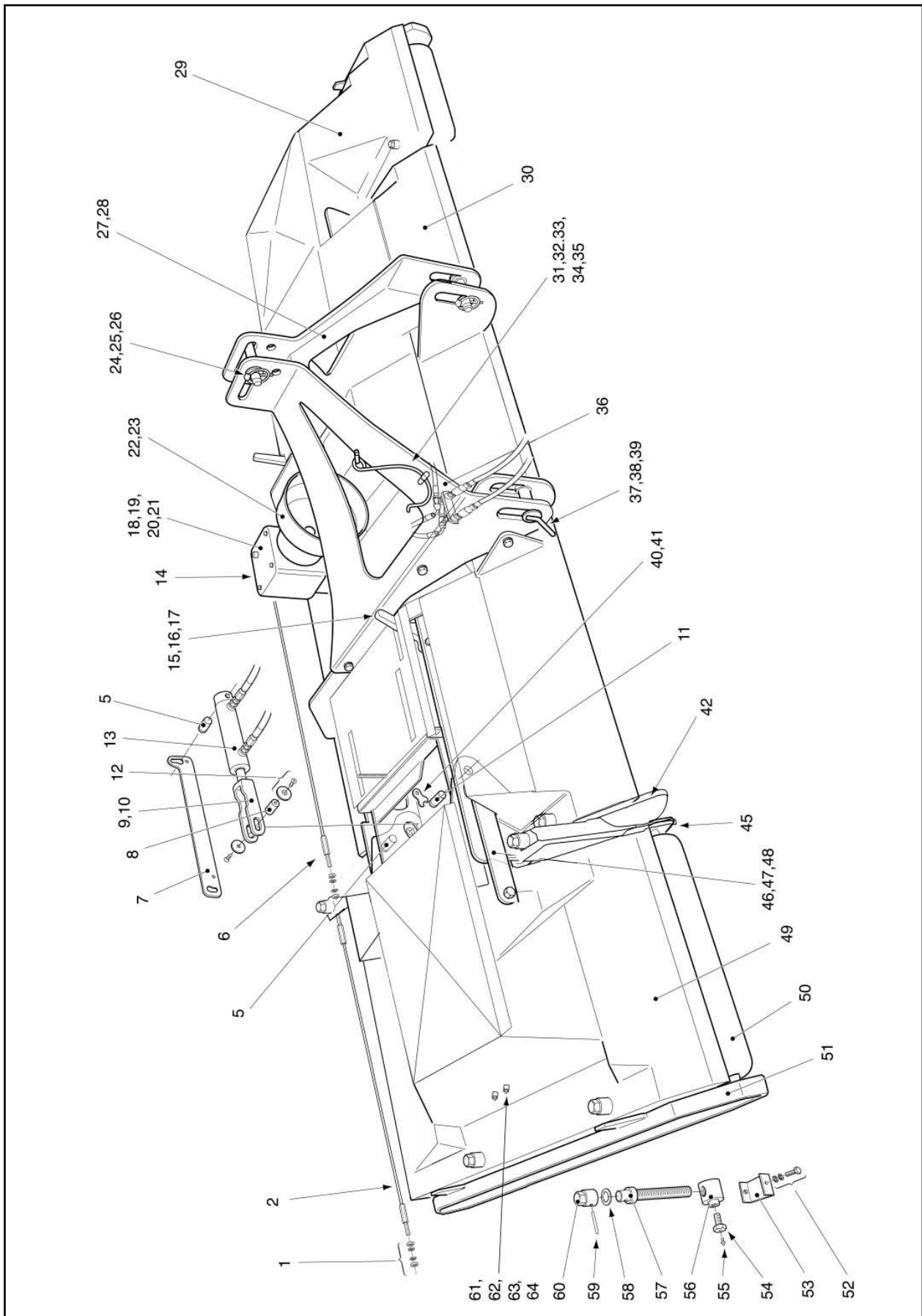
- Sets No 1 (x2), ● Set No 2, ● Set No 3

Having removed the belts replace them in the reverse sequence. Having replaced the belts, retention them to the correct tension giving approximately 10mm of deflection under thumb pressure half way between the pulleys.

After fitting new belts you will need to retention them after 3-4 hours work as new belts always stretch when first used.



# PARTS ILLUSTRATION - RMX 360 MAINFRAME



## PARTS LIST - RMX 360 MAINFRAME

Item No.	Part No.	Description	Qty.
1	WX-4003	Cable Fastening Set	6
2	WX-7730	Wing Cable	2
5	WX-6928	Ram Pivot Pin	4
6	WX-7230	Main Deck Cable	1
7	WX-19156	Retaining Plate	2
8	WX-17456	Ram Clevis Pin (25mm Ø)	2
8	WX-16856	Ram Clevis Pin (20mm Ø)	2
9	WX-19056	Ram Clevis	2
10	WX-3320	Ram Lock-Nut	2
11	WX-7028	Pivot Pin	2
12	WX-16956	Retaining Washer and Fastening Set	4
13	WX-15156	Hydraulic Cylinder	2
14	WX-12257	Gearbox Breather	1
15	WX-24776	Safety Latch Lever	2
16	WX-0325	Catch Spring	2
17	WX-29701	Catch Bolt	2
18	WX-5857	Gearbox	1
19	WX-0801	Gearbox, Fastening Set	1
20	WX-14957	Gearbox, Mounting Plate	1
21	WX-2801	Gearbox, Mounting Plate Fastening Set	1
22	WX-1878	Cone Guard	1
23	WX-5103	Cone Guard Fastening Set	1
24	WX-0426	Top Link Pin	1
25	WX-0127	Lynch Pin	1
26	WX-2720	Top Link Washer	2
27	WX-12779	Tri-link Frame	1
28	WX-15103	Tri-link Fastening Set	1
29	WX-0271	Left Hand Wing Fabrication	1
30	WX-0671	Main Centre Deck Fabrication	1
31	WX-3925	Spring	1
32	WX-6430	P.T.O. Hook Retainer	1
33	WX-15203	P.T.O. Hook Retainer Fastening Set	1
34	WX-0229	Shackle	1
35	WX-9280	P.T.O. Hook	1
36	WX-18056	Hydraulic Kit	1
37	WX-4028	Bottom Link Pin	2
38	WX-3828	Bottom Link Bush	4
39	WX-0127	Lynch Pin	2
40	WX-9558	Bearing Pin Retainer	2

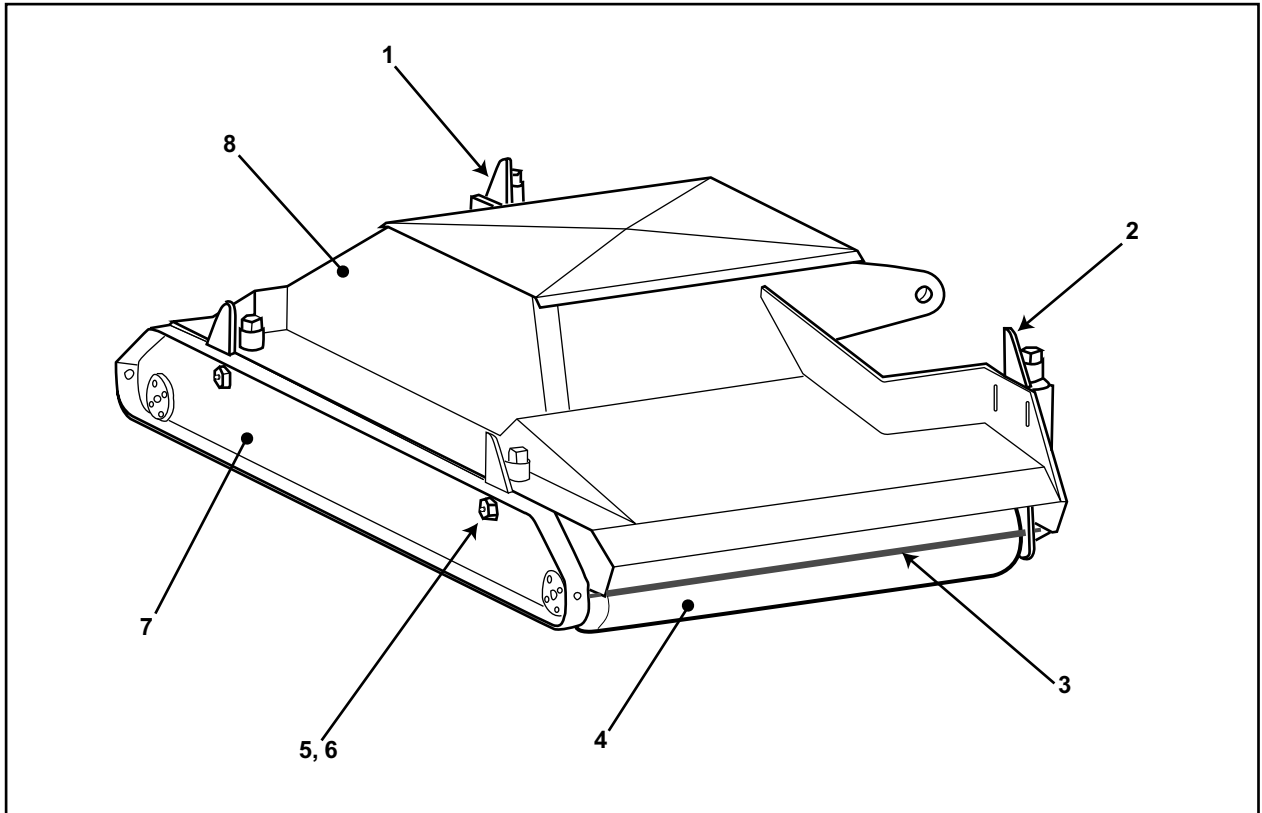
## PARTS LIST - RMX 360 MAINFRAME

Item No.	Part No.	Description	Qty.
41	WX-0103	Bearing Pin Retainer Fastening Set	4
42	WX-5974	Centre Deck Roller Carrier	2
43	WX-19980	Rubber Flap	2
44	WX-4103	Rubber Flap Fastening Set	6
45	WX-3874	Wing Deck Roller Carrier	2
46	WX-13858	Wing Lock Bar	2
47	WX-4503	Wing Lock Bar Bolt - Fixed	2
48	WX-7403	Wing Lock Bar Bolt - Sliding	2
49	WX-0171	Right Hand Wing Fabrication	1
50	WX-6555	Front Wing Roller	2
51	WX-4374	Outer Roller Carrier	2
52	WX-0705	Adjuster Cover Fastening Set (4 Covers)	2
53	WX-14456	Adjuster Cover	8
54	WX-8002	Skid Bolt (Outer Skids)	8
54A	WX-8802	Clamp Bolt (Inner Wings)	4
55	WX-0246	Grease Nipple	28
56	WX-14556	Height Adjustment Nut	8
57	WX-15956	Height Adjustment Thread (Inner Skids)	8
57A	WX-14656	Height Adjustment Thread (Outer Skids)	4
58	WX-2420	Nylon Washer	4
59	WX-4222	Roll Pin	12
60	WX-14756	Height Adjustment Hexagon	12
61	WX-1046	Plate Adaptor	4
62	WX-1146	Grease Nipple	4
63	WX-1446	Grease Hose (Sold Per Meter)	-
64	WX-0946	Hose Connector	4
65	WX-15603	Roller Spindle Fastening Set	12
66	WX-2655	Roller Bearing Shield	12
67	WX-15703	Roller End Fastening Set	12
68	WX-19580	Rubber Disc	12
69	WX-6855	Roller	2
70	WX-2555	Roller End	12
71	WX-1838	Roller Bearing	12
72	WX-4122	Circlip	12
73	WX-6355	Roller Spindle Outside Only F/S 12x30	4
74	WX-6455	Roller Spindle Inside Only F/S 12x35	12
N/S	WX-2281	P.T.O. Shaft Complete	1
N/S	WX-2281A	P.T.O. Shaft Cover	1
N/S	WX-20680	Wing Buffer	2

\* Items 43 and 44 not used from serial number 120524.



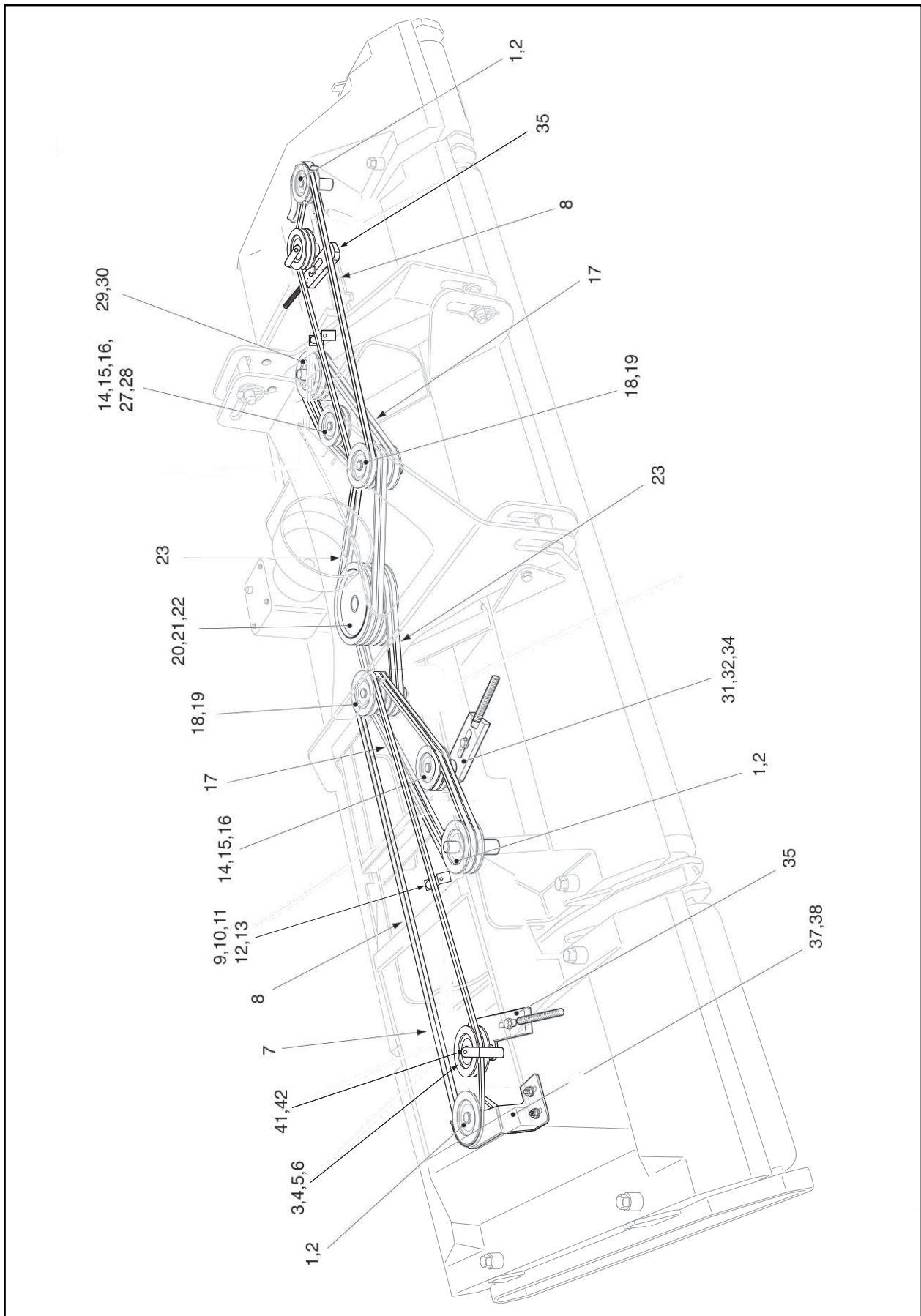
## PARTS ILLUSTRATION - RMX 360 OFFSET WING ASSEMBLY



## PARTS LIST - RMX 360 OFFSET WING ASSEMBLY

Item No.	Part No.	Description	Qty.
1	WX-4474	Right Rear and Left Front Roller Carrier	2
2	WX-4574	Rear Left and Front Right Roller Carrier	2
3	WX-7730	Roller Scraper	2
4	WX-7155	Rear Wing Roller (centre section only)	2
5	WX-4374	Outer Roller Carrier	2
6	WX-8103	Roller Carrier Fastening Set	4
8	WX-0171	Right Hand Wing Fabrication	1
8	WX-0271	Left Hand Wing Fabrication	1
N/S	WX-23580	Rubber Strip	2

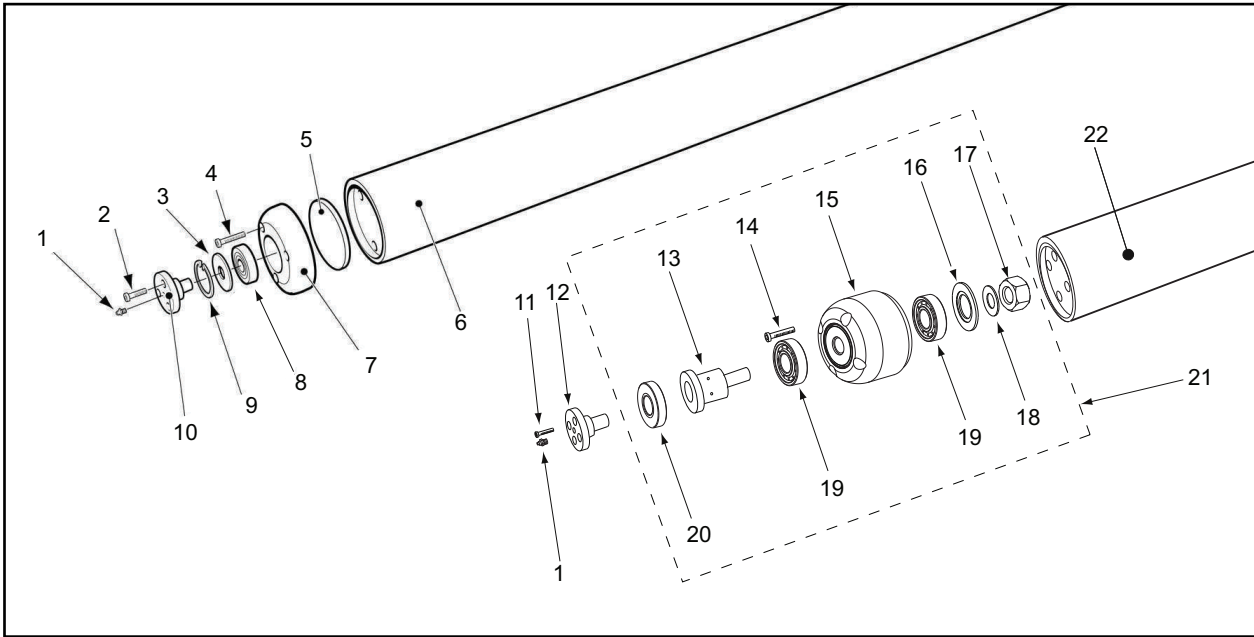
# PARTS ILLUSTRATION - RMX 360 DRIVE SYSTEM



## PARTS LIST - RMX 360 DRIVE SYSTEM

Item No.	Part No.	Description	Qty.
1	WX-11262	1 Row Pulley	2
2	WX-11462	Taper Lock	2
3	WX-12966	Jockey Roller Spindle (High)	2
4	WX-6038	Jockey Roller Bearings	4
5	WX-8602	Jockey Roller Bolt	2
7	WX-24976	Belt Retainer	2
8	WX-5534	Wing Belt	2
8A	WX-10758	Long Belt Support	2
9	WX-11662	Horizontal Idler Pulley	2
9A	WX-25280	Horizontal Pulley Belt Retainer	2
10	WX-11762	Horizontal Idler Spindle	2
11	WX-7038	Bearing	4
12	WX-4622	Circlip	2
13	WX-29801	Idler Bolt	2
14	WX-10562	Idler Pulley	4
15	WX-4022	Circlip	4
16	WX-6038	Bearing	4
17	WX-4534	Belt	4
18	WX-10662	5 Row Pulley	2
19	WX-11362	Taper Lock	4
20	WX-0647	Gearbox Key	1
21	WX-8662	Taper Lock	1
22	WX-11162	Gearbox Pulley	1
23	WX-4634	Belt	4
27	WX-15666	Short Idler Pillar	1
28	WX-30001	Idler Bolt	1
29	WX-11562	2 Row Pulley	1
30	WX-11362	Taper Lock	4
31	WX-15566	Tall Idler Pillar	1
32	WX-5603	Idler Bolt	1
34	WX-14266	Tensioner Plate	2
35	WX-13066	Tensioner Plate	2
37	WX-25076	Wing Belt Retainer	2
38	WX-5803	Wing Belt Retainer Fastening Set	2
39	WX-2145	Oil Seal (Jockey Roller)	2
40	WX-16666	Seal Spacer	2
41	WX-10362	2 Row Pulley	1

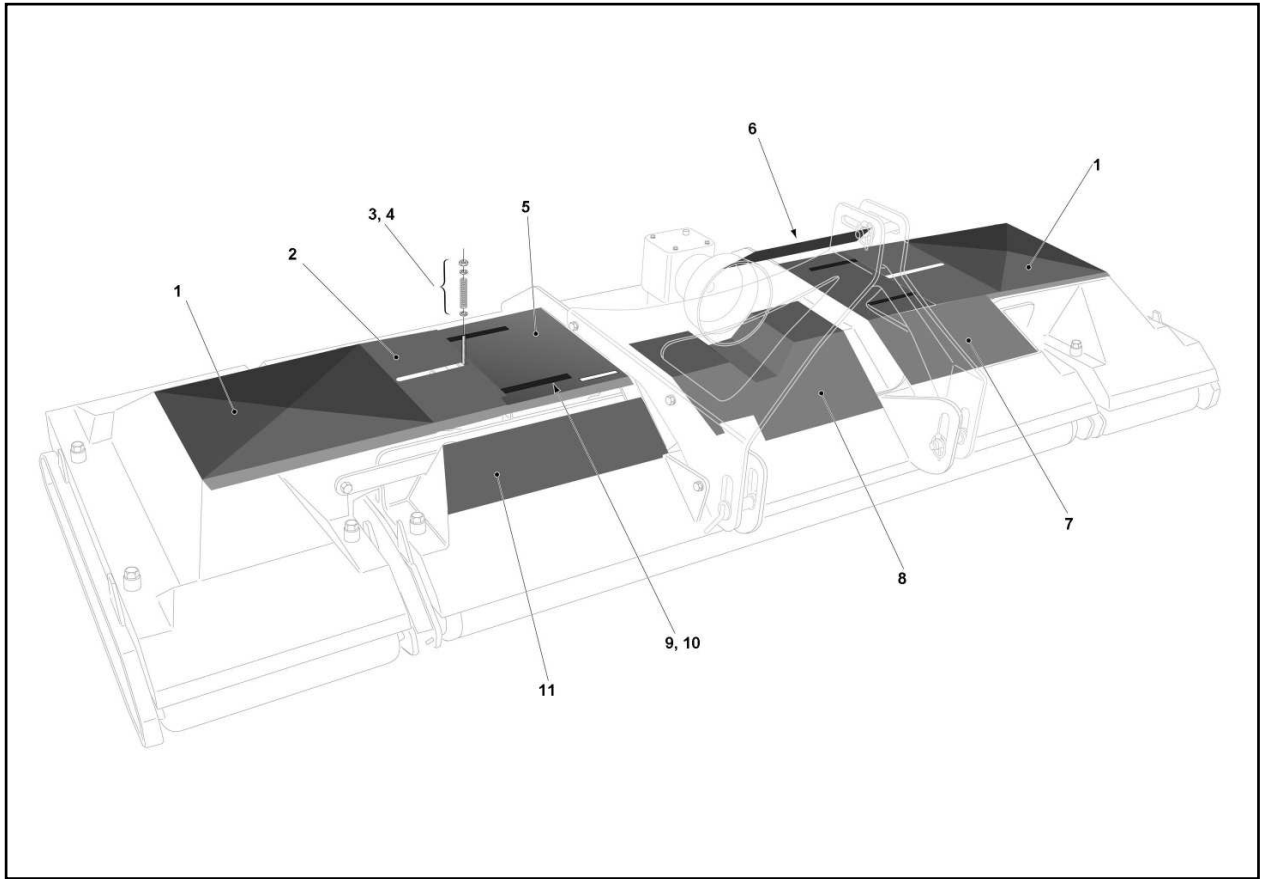
## PARTS ILLUSTRATION - RMX ROLLERS



## PARTS LIST - RMX 360 ROLLERS

Item No.	Part No.	Description	Qty.
1	WX-0246	Grease Nipple	4
2	WX-15603	Roller Spindle Fastening Set	4
3	WX-2655	Roller Bearing Shield	4
4	WX-15703	Roller End Fastening Set	4
5	WX-19580	Rubber Disc	4
6	WX-3955	Main Roller (3 Bolt End)	2
7	WX-2555	Roller End (3 Bolts)	4
8	WX-1838	Roller Bearing	4
9	WX-4122	Circlip	4
10	WX-2455	Roller Spindle	4
11	WX-15603	Roller Spindle Fastening Set	4
12	WX-6355	Roller Spindle (With Flats)	4
12	WX-6455	Roller Spindle (With Cut-out)	12
13	WX-4355	Central Spindle	4
14	WX-15803	Roller End F/Set (4 Bolt)	4
15	WX-4255	Roller End (4 Bolts)	4
16	WX-4455	Roller Bearing Shield	4
17	WX-0614	Nut	4
18	WX-0615	Washer	4
19	WX-8038	Taper Bearing	8
20	WX-2345	Roller Oil Seal	4
21	WX-4155	Roller End Assembly	4
22	WX-6855	Main Roller (4 Bolt End)	2

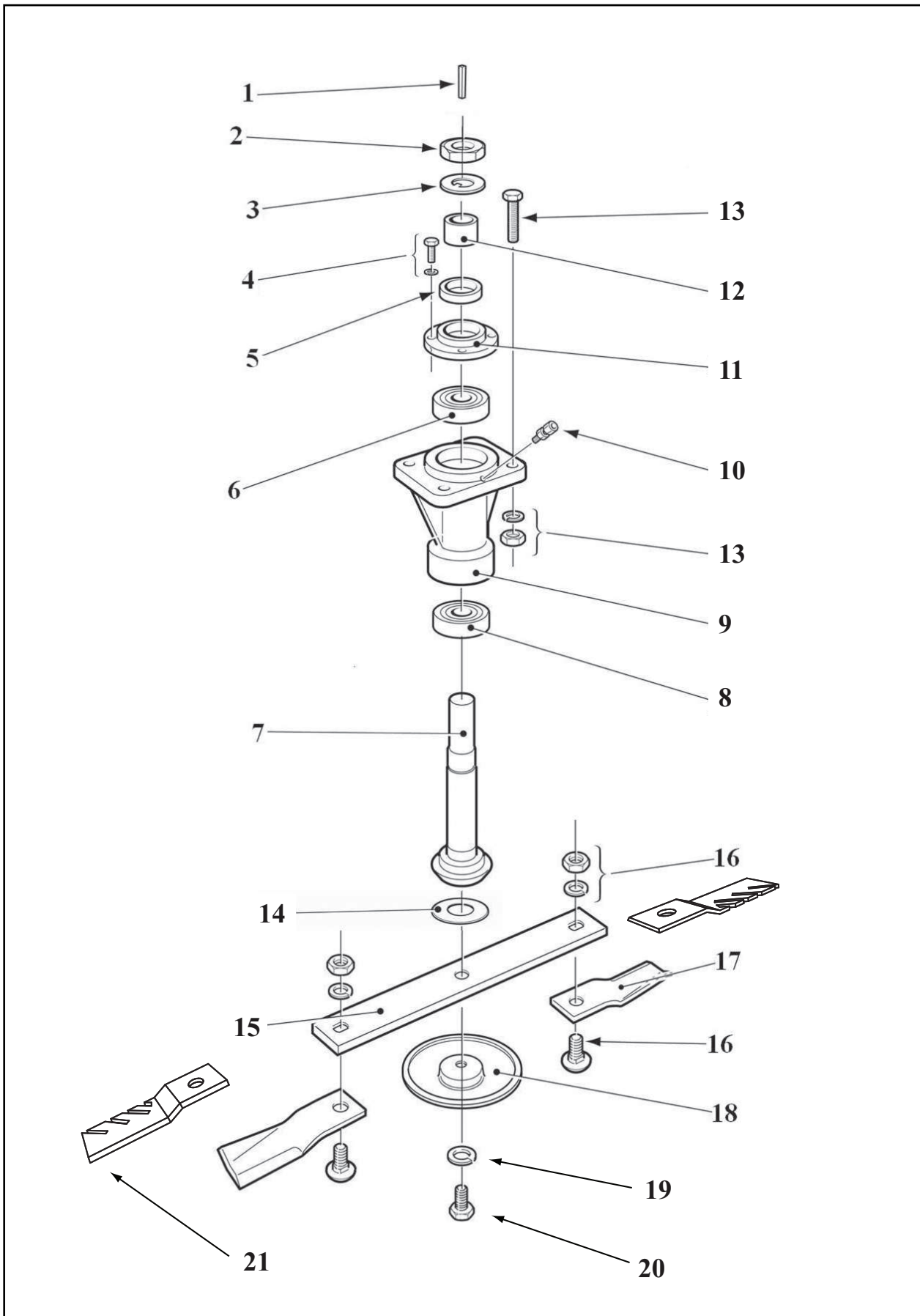
## PARTS ILLUSTRATION - RMX 360 GUARD SET



## PARTS LIST - RMX 360 GUARD SET

Item No.	Part No.	Description	Qty.
1	WX-14077	Wing Guard	2
2	WX-14277	Hinged Guard	2
3	WX-4225	Spring	2
4	WX-31401	Spring Fastening Set	2
5	WX-14577	Middle Right Hand Guard	1
6	WX-14377	Back Guard	1
7	WX-14177	Middle Left Hand Guard	1
8	WX-14477	Centre Front Guard	1
9	WX-20180	Guard Slide	4
10	WX-20080	Guard Slide Washer	2
11	WX-14677	Front Guard	1
N/S	WX-31301	Guard Fastening Set	38

# PARTS ILLUSTRATION - RMX SPINDLES ASSEMBLY



## PARTS LIST - RMX SPINDLES ASSEMBLY

Item No.	Part No.	Description	Qty.
1	WX-1947	Key	1
2	WX-15066	Spindle Nut	1
3	WX-0120	Tab Washer	1
4	WX-4401	Fastening Set	1
5	WX-0145	Seal	1
6	WX-0338	Top Spindle Bearing	1
7	WX-15166	Spindle	1
8	WX-1238	Bottom Spindle Bearing	1
9	WX-1966	Spindle Housing	1
10	WX-0346	Grease Nipple	1
11	WX-2166	Oil Seal Housing	1
12	WX-14966	Spindle Spacer	1
13	WX-2701	Spindle Assembly Fastening Set	1
14	WX-0220	Fibre Washer	1
15	WX-7270	Blade Bar	1
16	WX-1739	Blade Bolt	2
16	WX-3039	Blade Bolt for Mulching Blade	2
17	WX-10070	Gold Cut Blade	2
18	WX-7470	Anti-scalp Boss	1
19	WX-3525	Lock Washer	1
20	WX-0439	Centre Blade Bolt	1
21	WX-10670	Mulching Blade	2
2-12	WX-1966B	Spindle Assembly	1

## PTO SHAFT OPERATION AND MAINTENANCE

---

### IMPORTANT!

**P.T.O. drive shafts must only be used for their intended purpose.**

P.T.O. drive shafts are designed for specific machine types and power requirements. They must not be replaced by other models. Ensure that the P.T.O. drive shaft is securely connected.

**Only use a completely protected drive system:**

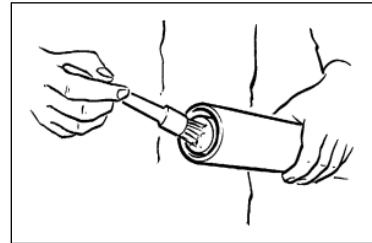
P.T.O. drive shaft with complete guard and complementary guard on tractor and implement. A complete guard is essential in all working positions.

## LUBRICATION

---

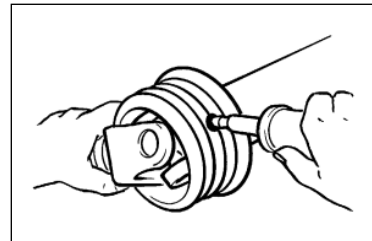
Lubricate with quality grease before starting work and every 40 operating hours.

Ensure the P.T.O. guard bearings are lubricated, the end ball shaped covers need retracting to expose all grease nipples.



Clean and grease the P.T.O. drive shaft before each prolonged period of non-use.

Grease the guard tubes in winter to prevent freezing.



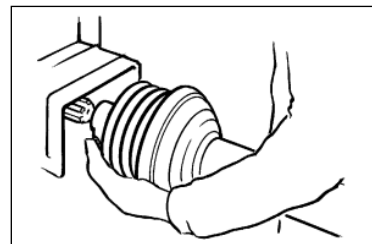
## COUPLING THE P.T.O. SHAFT

---

Clean and grease the P.T.O. and PIN

### **Q.-d pin**

Press q.-d. pin and simultaneously push P.T.O. drive shaft onto P.T.O. until pin engages.





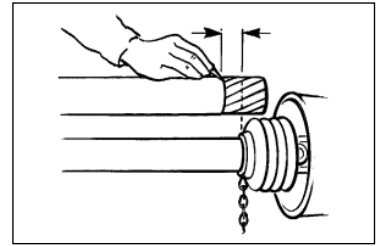
# PTO SHAFT OPERATION AND MAINTENANCE

---

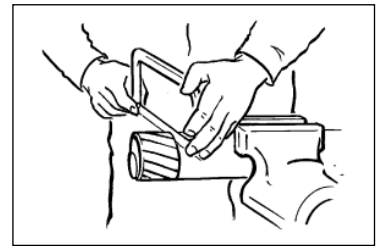
## LENGTH ADJUSTMENT

---

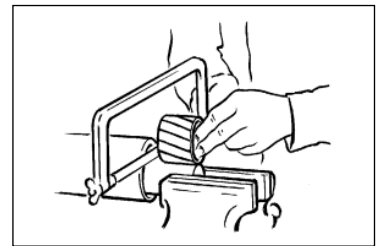
To adjust the length, hold the half-shafts next to each other in the shortest working position and mark them.



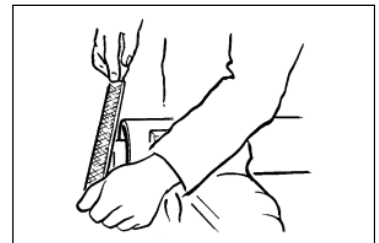
Shorten inner and outer guard tubes equally.



Shorten inner and outer sliding profiles by the same length as the guard tubes.



Round off all sharp edges and remove burrs.  
Grease sliding profiles.

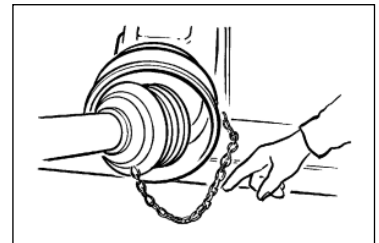


No other changes may be made to the P.T.O. drive shaft and guard.

## CHAINS

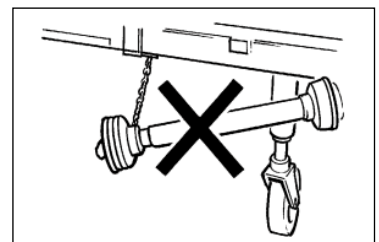
---

Chains must be fitted so as to allow sufficient articulation of the shaft in all working positions.



Do not let the chains encircle the P.T.O. guard in use as this will shorten the life of the P.T.O. guard.

The PTO drive shaft must not be suspended from the chains! Please use the P.T.O. Support Hook provided.



## SPECIFICATION

---

### Proline RMX 360 Roller Mower

Model:	RMX 360
Cutting Width:	3.60m
Overall Width:	3.70m
Overall Length:	1.40m
Transport Width:	2.40m
Cutting Height Range:	10-100mm
No. of Cutting Rotors:	6
Approximate Weight:	990kg
Power Required:	65hp

### When Fitted To ProGlider:-

Approximate Weight:	1047kg
Overall Length:	3980
Highway Lighting:	Fitted
Tyre Pressure:	3.9 Bar
Maximum Road Speed	50 KPH

**NOTES**

---

## HITCHING UP WHEN FITTED TO PROGLIDER WHEEL GEAR

---

- **Always hitch and unhitch on level ground for safety reasons.**
- **When hitching up, never allow anyone to stand between the tractor and the mower.**
- Reverse the tractor up to the ProGlider and hitch up. When using a drawbar pin ensure that it is secured with a lynch pin.
- The drawbar is adjustable for different tractor drawbar heights. When the mower is in the mowing position on level ground, the guide pin in the curved slots on either side of the drawbar pivoting section should be positioned in the centre of the curved slot. This allows the drawbar to pivot on undulating ground. To adjust the drawbar height, simply turn the towing eye over or put it on the bottom of the drawbar.
- Connect the hydraulics connectors to the tractor. Single acting rams for the side wings, double acting rams for the wheel gear.
- Couple the P.T.O. Shaft to the tractor putting the wide angle joint at the tractor end. Secure the P.T.O. cover chains. Ensure that P.T.O. Shaft locking pins are located.
- Connect the lighting plug into the tractor.
- **IMPORTANT** - Ensure that the bottom link arms do not come in contact with the P.T.O. Shaft when turning. We recommend that you remove or raise up the tractor link arms by adjustment of the arms.

## OPERATING THE MACHINE

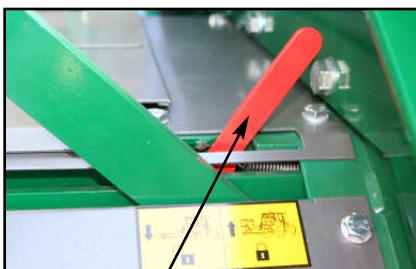
---

- To lower the mower to the ground, take the weight on the wheel rams (push wheels down), unlock the transport brackets from over the wheel rams, then slowly lift the wheels up off the ground this will lower the mower to the ground.
- When lowering the wings ensure that there are no bystanders within 4m of the wings, then simply activate the wing rams to lift the wings, this will take the weight off the transport catches. Then shift the wing catches to the unlocked position, and slowly lower the wings to the ground, you are now ready to use the mower. (See using the mower instructions on page 7).
- When mowing always lift the wheels to the up position, to allow the cut grass to flow out of the rear of the mower and to allow the mower to run on the rollers when mowing.

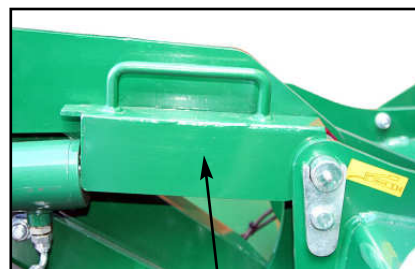
## TRAVELLING ON THE PUBLIC HIGHWAY

---

- Check your local Highway Code of Regulations before travelling on the public highway.
- When travelling on the highway ensure that both of the mower wing catches are locked in the up position.
- Ensure that both of the wheel rams are locked in the down position.
- Make sure that all lights and indicators are working.



Wing Catch



Wheel Ram Transport Brackets

## **MAINTENANCE**

---

To keep your ProGlider in excellent working condition we recommend that you follow this maintenance program:-

### **REGULARLY - (Every 30 Hours)**

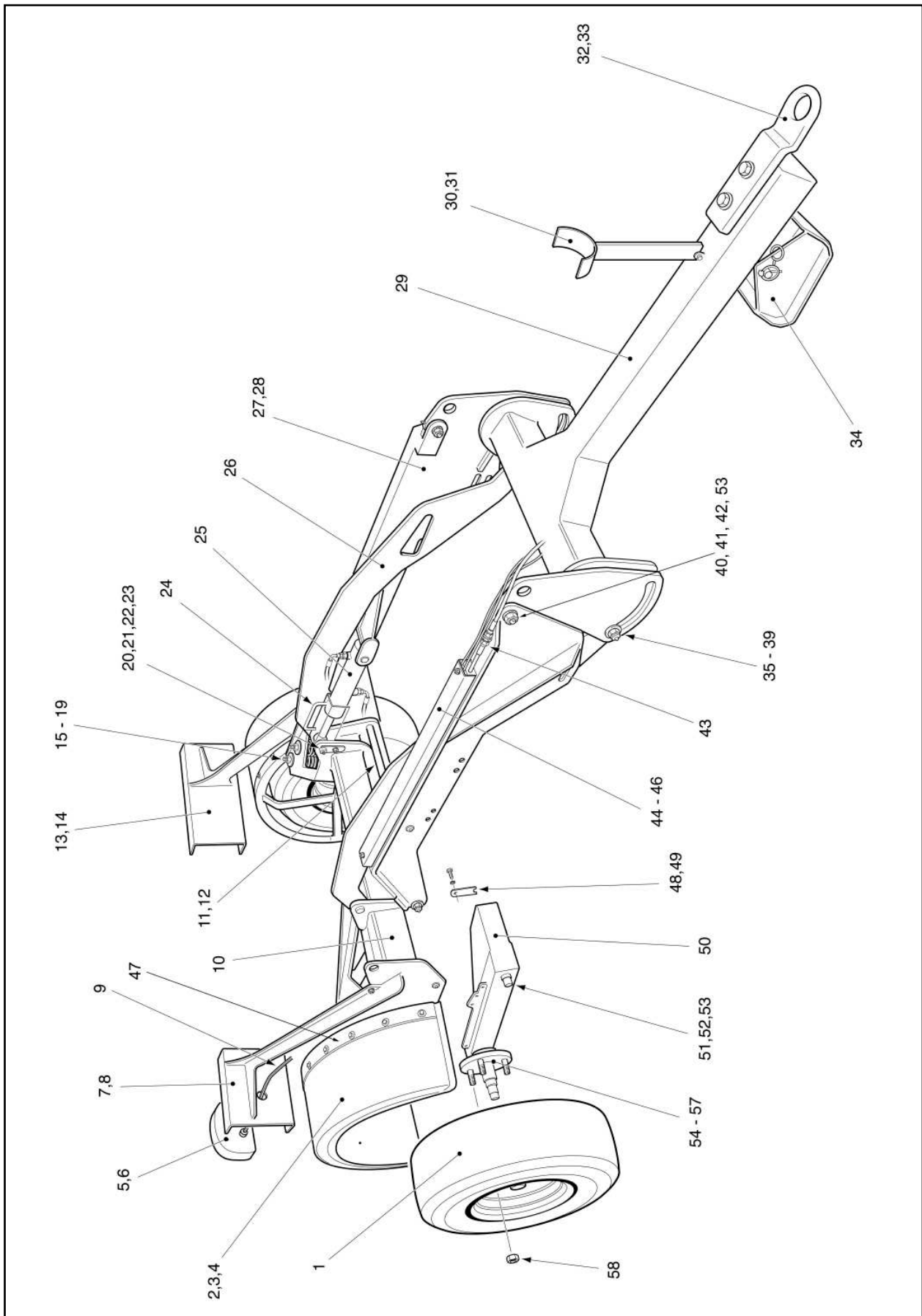
- Grease all pivot points including hydraulic rams.
- Check all hydraulic hoses.
- Check all nuts and bolts for tightness.
- Check all light bulbs and connecting plug.
- Grease P.T.O. Shaft.

## **WINTER STORAGE**

---

- Repair or replace any worn or broken parts.
- Take special care to look at the bronze brushes in the main pivot points.
- Thoroughly wash machine to remove all oil, grease and debris.
- Inspect all light bulbs and connecting plug.
- Grease all grease points.
- Inspect all hydraulic hoses.

# PARTS ILLUSTRATION - PROGLIDER



**PARTS LIST - PROGLIDER**

<b>Item No.</b>	<b>Part No.</b>	<b>Description</b>	<b>Qty.</b>
1	WX-4752	Wheel	2
2	WX-14651	Mudguard	2
3	WX-31506	Mudguard Fastening Set	2
4	WX-31601	Mudguard Frame Fastening Set	2
5	TS-2470-05	Left Hand Light Unit	1
6	TS-2472-05	Right Hand Light Unit	1
7	WX-22680	Right Hand Light Bracket	1
8	WX-31701	Right Hand Light Bracket Fastening Set	1
9	TS-58-1093-027	Wiring Loom	1
10	WX-22880	Axle Carrier	1
11	WX-14951	Axle Carrier Pin c/w Grease Nipple	1
12	WX-32001	Fastening Set	1
13	WX-22780	Left Hand Light Bracket	1
14	WX-31701	Left Hand Light Bracket Fastening Set	1
15	WX-22980	Spring Carrier	2
16	WX-1825	Spring	4
17	WX-3120	Spring Retaining Washer	8
18	WX-16266	Spacer	4
19	WX-3201	Spring Fastening Set	4
20	WX-10458	Ram Pin Retainer	4
21	WX-7328	Pin c/w Grease Nipple	4
22	WX-31901	Pin Retainer Fastening Set	4
23	WX-16366	Safety Catch Spacer	4
24	WX-23080	Transport Locking Bracket	2
25	WX-16056	Hydraulic Cylinder	2
26	WX-13379	Link Bar	2
27	WX-13479	Main Bracket Left and Right Hand	2
28	WX-32101	Fastening Set	1
29	WX-23180	Drawbar	1
30	WX-5680	P.T.O. Prop	1
31	WX-4903	Fastening Set	1
32	WX-2330	Ring Hitch	1
33	WX-19401	Ring Hitch Fastening Set	2
34	WX-16580	Drop Shoe c/w Pin	1
35	WX-7428	Front Link Pivot Pin	2
36	WX-3220	Locating Washer	2
37	WX-5155	Roller	2
38	WX-0246	Nipple	2
39	WX-3201	Pivot Pin Fastening Set	2
40	WX-31801	Fastening Set	2

**PARTS LIST - PROGLIDER**

<b>Item No.</b>	<b>Part No.</b>	<b>Description</b>	<b>Qty.</b>
41	WX-7228	Drawbar Pivot Spacer	2
42	WX-7338	Bronze Bush	2
43	WX-15856	Hose Kit	1
44	WX-7776	Hose Cover	1
45	WX-32201	Fastening Set	1
46	WX-17156	Hose Clamp	2
47	WX-10658	Mudguard Bracket	2
48	WX-10558	Bracket Pin Retainer	2
49	WX-32301	Fastening Set	2
50	WX-10658	Axle Bracket	2
51	WX-7128	Pin	2
52	WX-7238	Bronze Bush	4
53	WX-0246	Nipple	4
54	WX-14751	Hub	2
55	WX-7538	Inner Hub Bearing	2
56	WX-7638	Outer Hub Bearing	2
57	WX-2245	Seal	2
58	WX-10353	Wheel Stud	10
N/S	WX-6981	P.T.O. Shaft	1
N/S	WX-6981A	P.T.O. Shaft Cover Complete	1









## *Certificate of CE Conformity*

**Machine Model:**

RMX 360

**Description:**

ROLLER MOWER

*I hereby certify that the machine detailed hereon  
conforms to:*

**European Directives 2008/42/EC  
Supply of Machinery Regulations 2008  
As amended 91/368EEC – 93/44EEC – 93/68EEC**

**Signed:**

A handwritten signature in black ink, consisting of a large, stylized 'R' followed by a flourish.

.....  
Quality Manager

Date:

APRIL 2011

### **Wessex International**

Charlton House, Caxton Place, East Portway Industrial Estate, Andover, Hampshire SP10 3QN  
Telephone: 01264 345870 Fax: 01264 345 880

[www.wessexintl.com](http://www.wessexintl.com)



**Wessex International**  
**Charlton House, Caxton Close, East Portway Industrial Estate, Andover Hampshire. SP10 3QN**  
**Telephone: 01264 345870 Fax 01264 345880**  
**e-mail: [sales@wessexintl.com](mailto:sales@wessexintl.com)**

**[www.wessexintl.com](http://www.wessexintl.com)**

---



## WESSEX PROLINE RMX, CR & FRX INSTALLATION RECORD

Upon installation of this machine, it is the Dealers responsibility to fill out the Installation Record below and return to Wessex International either by Fax to 01264 345880 or Email warranty@wessexintl.com.

IF THIS FORM IS NOT RETURNED, WE CANNOT ISSUE THE CUSTOMER THE APPLICATION FORM TO REGISTER FOR THE EXTENDED WARRANTY ON THEIR MACHINE.

### END USER DETAILS

NAME : \_\_\_\_\_

ORGANISATION : \_\_\_\_\_

ADDRESS : \_\_\_\_\_  
 \_\_\_\_\_  
 \_\_\_\_\_

TELEPHONE : \_\_\_\_\_ MOBILE : \_\_\_\_\_

EMAIL : \_\_\_\_\_

DEALER: \_\_\_\_\_ BRANCH : \_\_\_\_\_

MACHINE MODEL : \_\_\_\_\_ SERIAL NO: \_\_\_\_\_

INSTALLATION DATE : \_\_\_\_\_

THE MACHINE DETAILED ABOVE HAS BEEN CORRECTLY INSTALLED AND THE FOLLOWING POINTS HAVE BEEN DISCUSSED WITH THE CUSTOMER :

1 Correct Machine Operation	
2 Operational Health & Safety	
3 Machine Setting and Adjustments	
4 Maintenance	
5 Importance of tensioning belts after initial 2 - 3 hours work and routinely thereafter	

### Delivery Checklist

Oil in gearboxes	
All PTO Shafts properly attached with Safety Chains attached	
All PTO Shafts greased	
All shields, guards and deflectors in place	
Check wheel nuts are tight	
All fixings tight	

Inspected by : \_\_\_\_\_

### **IMPORTANT INFORMATION TO PREVENT DAMAGE - RELEVANT TO ALL TRAILED MACHINES**

Ensure that the tractor link arms are removed or at least dropped to prevent contact with the PTO shaft when turning.  
Avoid sharp turns where the rear wheel of the tractor comes into contact with the drawbar or PTO shaft. Turning too sharp can also cause damage to the PTO shaft, it's universal joints and tractor tyres.

DEALER SIGNATURE : \_\_\_\_\_ NAME : \_\_\_\_\_

DATE : \_\_\_\_\_

Upon receipt of this form, we will forward the Extended Warranty Application Form to the End User.

**THANK YOU FOR FACILITATING THE SALE OF ANOTHER WESSEX PROLINE MACHINE!**

**WESSEX INTERNATIONAL**

Charlton House, Caxton Close, East Portway Industrial Estate, Andover, Hampshire SP10 3QN

T : 01264 345870 F : 01264 345880 E : sales@wessexintl.com