

This Manual Must Be Read Before Operating The Equipment

Owner / Operator's Manual



Spreaders for Snow & Ice Control

FOR MODEL

Tow Pro 7000



Warren, Michigan 48089

CUSTOMER COPY

Protected by the following patents, #6,089,478, #6,088,865, #Des.425,915
and other pending U.S. and foreign patent applications.

Introduction	3
General Information and Registration	4
Safety Information	5-7
Fertilizer Disclaimer	8
Spreader Assembly and Exploded Views.....	9-24
Assembly Instructions	25
Electrical Installation	26
Blank Page	27
Electrical System Information	28-31
Adjustable Spinner	32
Tilt Spinner	33
Spreader Calibration	34
Spreader Operation	35-36
Spreader Maintenance.....	37
Trouble Shooting	38-40
Blank Page	41
Warranty	42-43

Have a question or need assistance?
SnowEx Customer Service
(800) 725-8377

or (586) 756-6555

Monday through Friday 8:00 AM to 4:30 PM EST

Fax: (586) 427-0552

E-Mail: customercare@trynexusfactory.com

Website: www.snowexproducts.com

This manual has been designed for your help. It will assist you and instruct you on the proper set-up, installation and use of this spreader.

Refer to the table of contents for an outline of this manual.

We require that you read and understand the contents of this manual completely (especially all safety information) before attempting any procedure contained herein.



THIS SIGN SHOULD ALERT YOU:

The Society of Automotive Engineers has adopted this SAFETY ALERT SYMBOL to pinpoint characteristics that, if NOT carefully followed, can create a safety hazard. When you see this symbol in this manual or on the machine itself, BE ALERT! Your personal safety and the safety of others is involved.

Defined below are the SAFETY ALERT messages and how they will appear in this manual:



DANGER

(RED)

Information that, if not carefully followed, can cause death!



WARNING

(ORANGE)

Information that, if not carefully followed, can cause serious personal injury or death!



CAUTION

(YELLOW)

Information that, if not carefully followed, can cause minor injury or damage to equipment.

CONGRATULATIONS!

The spreader you have purchased is an example of snow and ice control technology at its finest! Your spreader's self-contained design is a trademark of all Snowex products. Here's why...

SIMPLICITY: Fewer moving parts manufactured of higher quality means minimal maintenance for your SnowEx spreader.

RELIABILITY: High impact linear low density polyethylene hopper, state-of-the-art electronic dual variable speed control, custom engineered powder coated frame, maximum torque 12 volt motor coupled to a custom engineered transmission found only on SnowEx products.

VERSATILITY: Multi-use capabilities allows spreading of a variety of materials for snow and ice control.

WARRANTY: Best in the industry, hands down! 2 years standard and now 5 year extended (optional).

The benefits you are about to recognize are that of time, money and effort. We welcome you to the world of Snowex Performance.

Registration

Record the following information in this manual for quick reference.

Spreader Model Number _____

Spreader Serial Number _____ Controller Serial Number _____

Date of Purchase _____

Dealer Where Purchased _____

When ordering parts, the above information is necessary. This will help to insure that you receive the correct parts.

At the right is a diagram of the ID tag. This tag on the spreader is located on the frame.


Please fill out the warranty card with all the necessary information to validate it. This will also give us a record so that any safety or service information can be communicated to you.








Before attempting any procedure in this book, these safety instructions must be read and understood by all workers who have any part in the preparation or use of this equipment.


For your safety warning and information decals have been placed on this product to remind the operator of safety precautions. If anything happens to mark or destroy the decals, please request new ones from Turfex.


 **WARNING** Unit must be strapped down and locked into position before operating vehicle.


 **DANGER** Never exceed the Gross Vehicle Weight Rating of vehicle. Failure to do so may limit a vehicles handling characteristics.


 **DANGER** Never attempt to take a unit off a truck with material in it.


 **WARNING** Never exceed 45 m.p.h. when loaded spreader is attached to vehicle. Braking distances may be increased and handling characteristics may be impaired at speeds above 45 m.p.h.


 **WARNING** Never allow children to operate or climb on equipment.
Always check areas to be spread to be sure no hazardous conditions or substances are in the area.
Always inspect unit for defects: broken, worn or bent parts, weakened areas on spreader or mount.







 **WARNING** Always shut off vehicle and power source before attempting to attach or detach or service spreader unit. Be sure vehicle/power source is properly braked or chocked.

 **WARNING** Always keep hands, feet, and clothing away from power-driven parts. Remember it is the owner's responsibility to communicate information on safe usage and proper maintenance of all equipment.

 **WARNING** Always make sure personnel are clear of areas of danger when using equipment. Maintain 60' distance from all bystanders when operating the spreader.

 **WARNING** Inspect the unit periodically for defects. Parts that are broken, missing, or worn out must be replaced immediately. The unit, or any part of it should be altered without prior written permission from the manufacturer.

 **CAUTION** Never use with foreign debris in the spreader.

-  **WARNING** Always inspect pins and latches whenever attaching or detaching spreader, and before traveling.
-  **CAUTION** Never leave material in hopper for long periods of time. Be aware that fertilizers are hygroscopic and will attract atmospheric moisture and harden up.
-  **WARNING** Remember, most accidents are preventable and caused by human error. Exercising of care and precautions must be observed to prevent the possibility of injury to operator or others!
-  **WARNING** Never operate equipment when under the influence of alcohol, drugs, or medication that might alter your judgment and/or reaction time.
-  **WARNING** Before working with the spreader, secure all loose fitting clothing and unrestrained hair.
-  **WARNING** Always wear safety glasses with side shields when servicing spreader. Failure to do this could result in serious injury to the eyes.

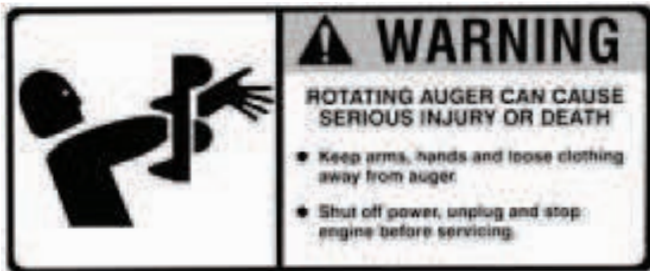
All Turfex products have warning labels instructing you about certain safety issues you should be aware of. Below are examples of what to look for and familiarize yourself with. In the event that a label is lost or removed for refinishing reasons, you may obtain new ones from Turfex.



D 6859



D 6859



D 6335



D 6545



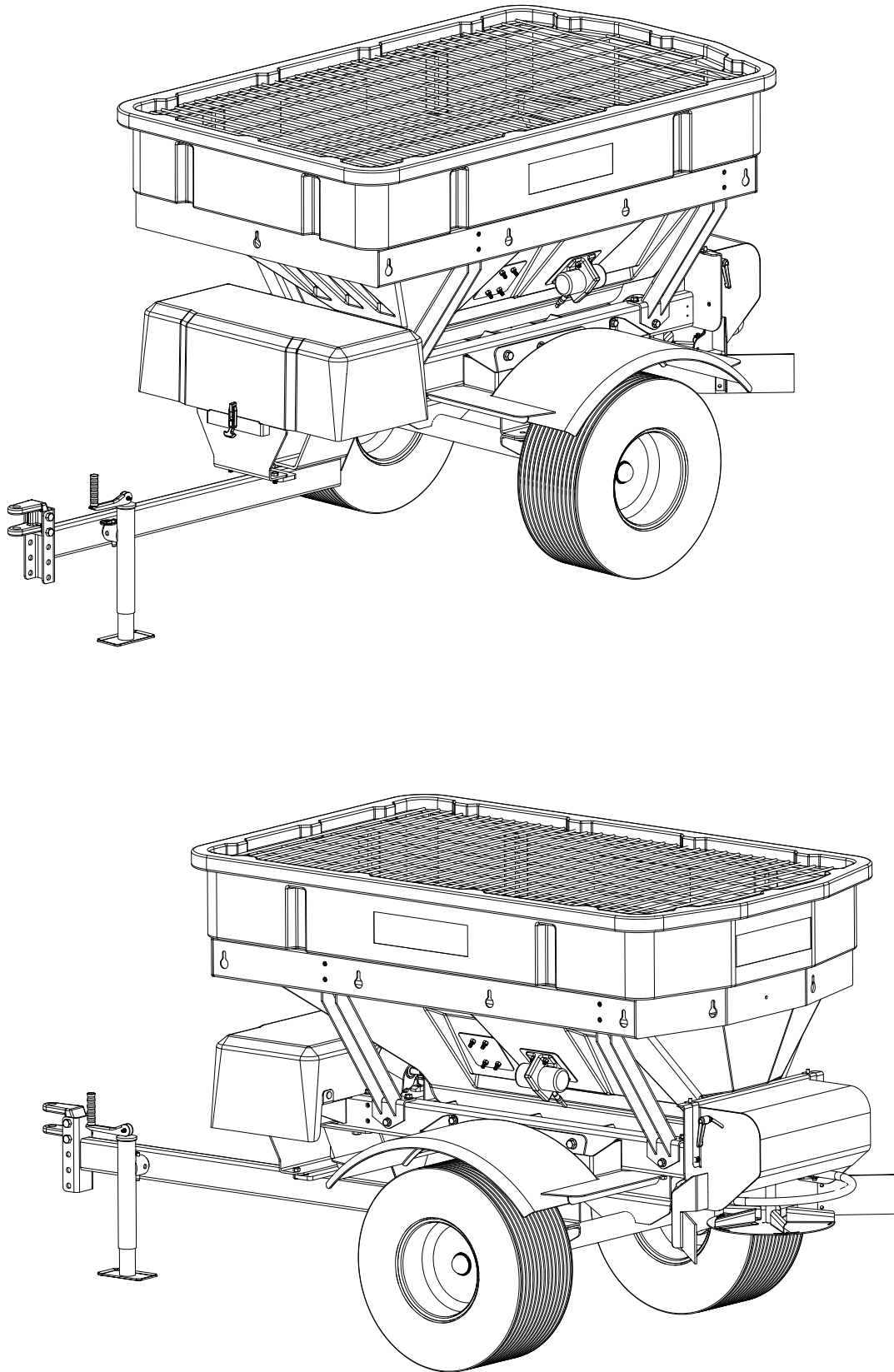
D 6544



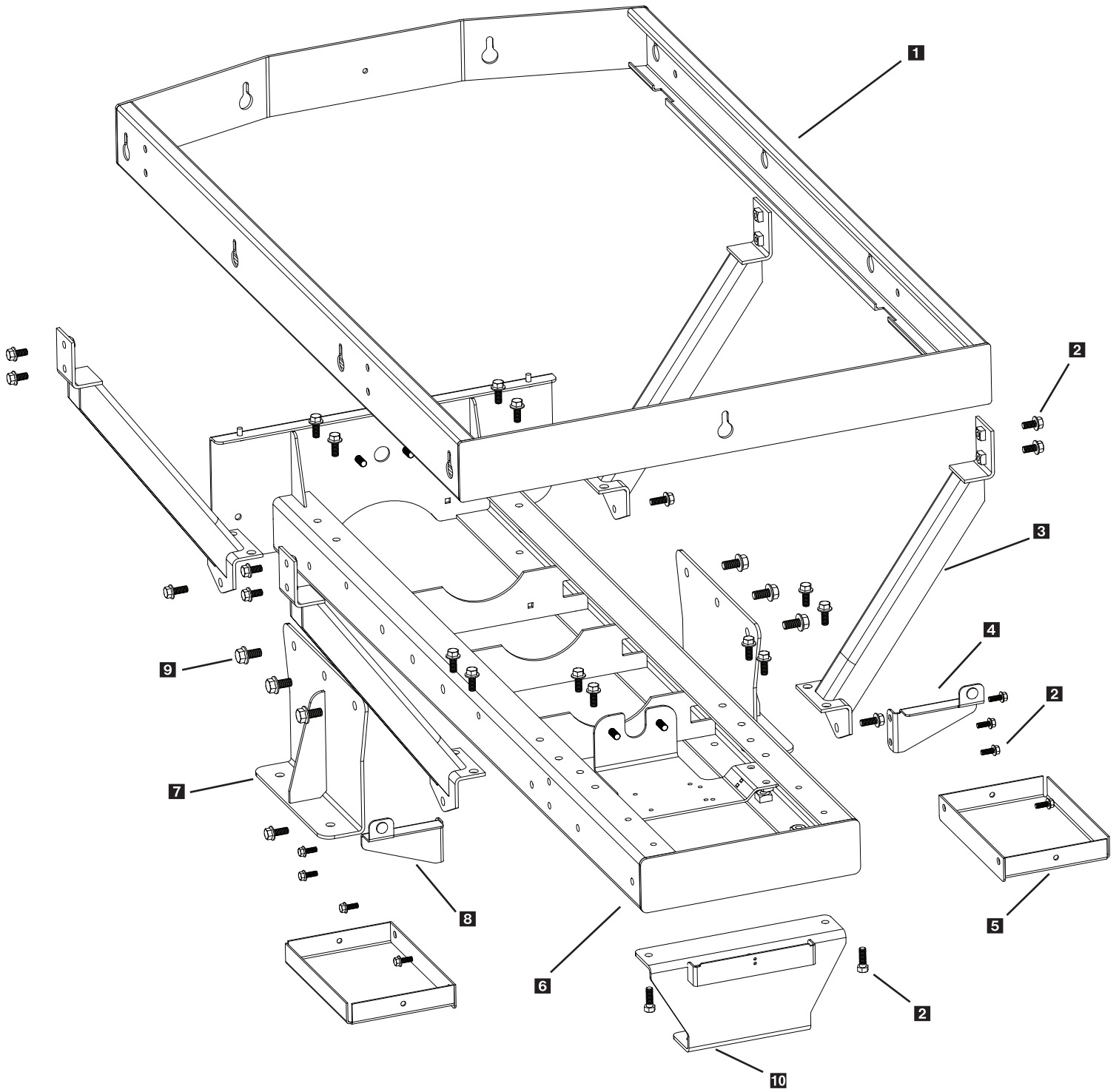
D 6548

THIS PAGE INTENTIONALLY LEFT BLANK

Tow Pro SP-7000
ISO VIEWS

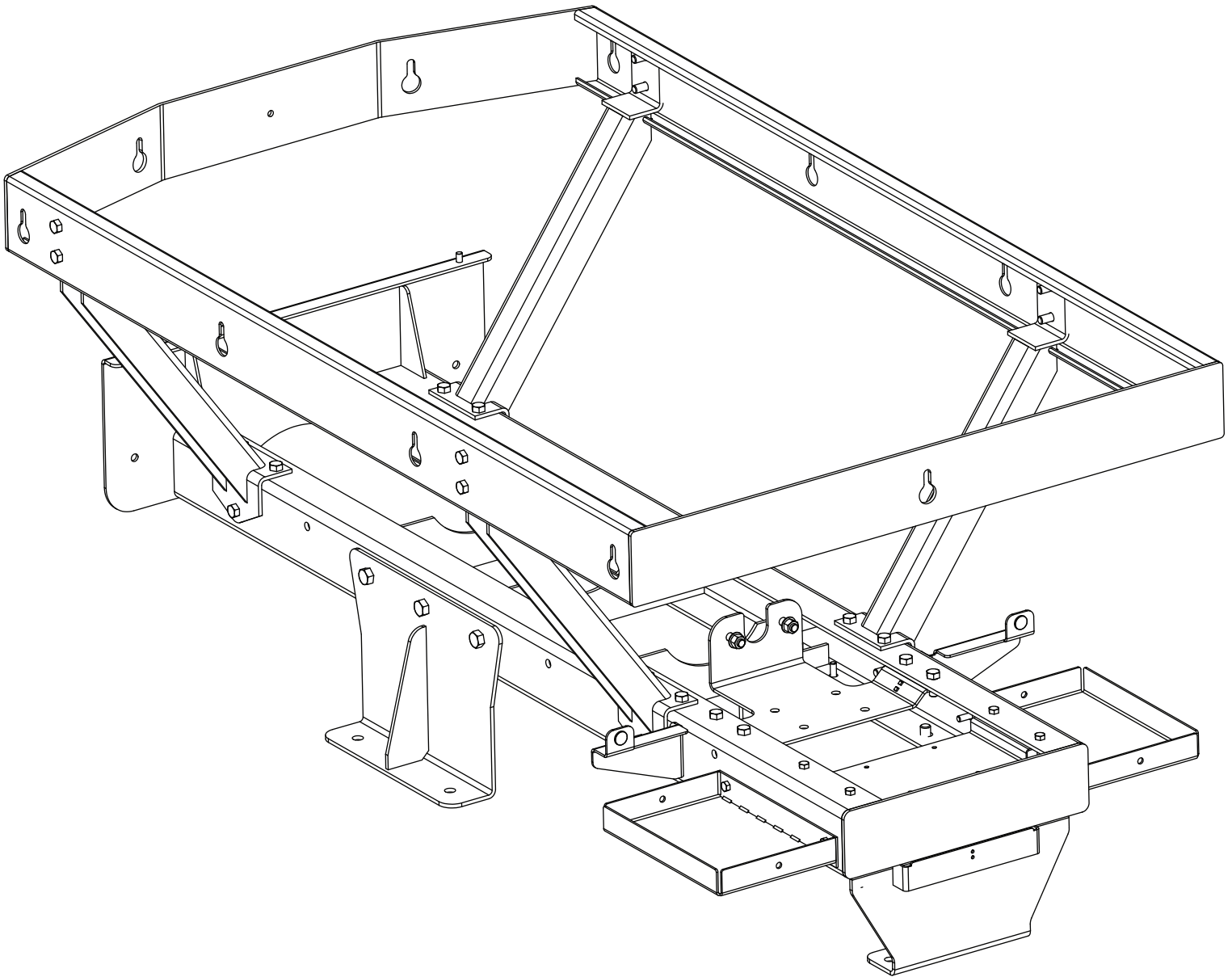


Tow Pro SP 7000 Frame Assembly



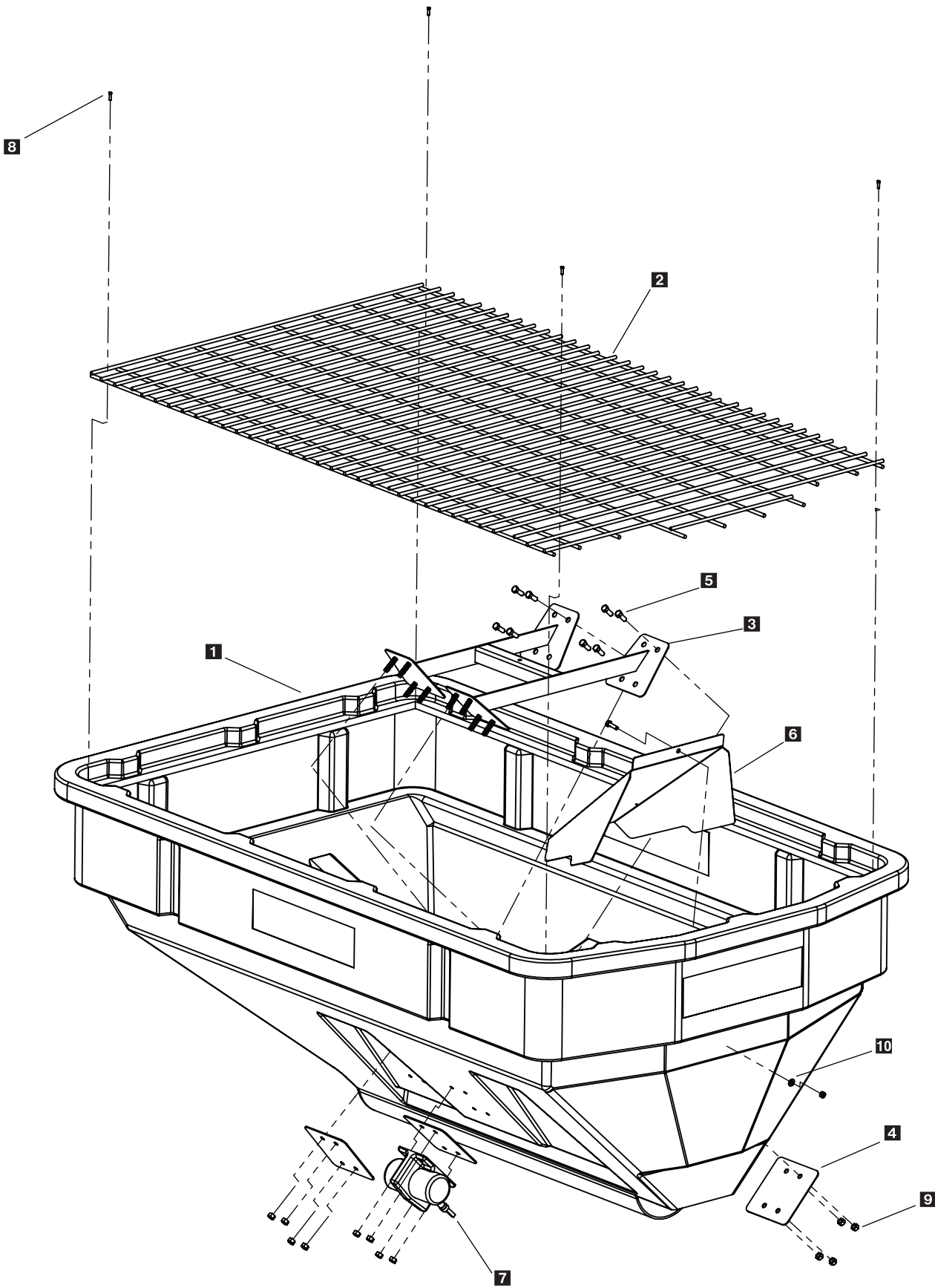
Tow Pro SP 7000 Frame

Parts Breakdown



Key	Part No.	Description	Qty.
1	T 30774	Frame Belt	1
2	D 6452	3/8-16 x 1 Serr Flg Gr5	30
3	T 30775	Frame Upright	1
4	T 30747	LH Battery Cover Brkt	1
5	T 30788	Battery Tray	2
6	T 30754	Main Frame	1
7	T 30782	Axle Mount Plate	1
8	T 30797	RH Battery Cover Brkt	1
9	D 6528	1/2-13 x 1 Serr Flange Bolt	1
10	T 30776	Hitch Mount Plate	1

SP 7000
Hopper Assembly

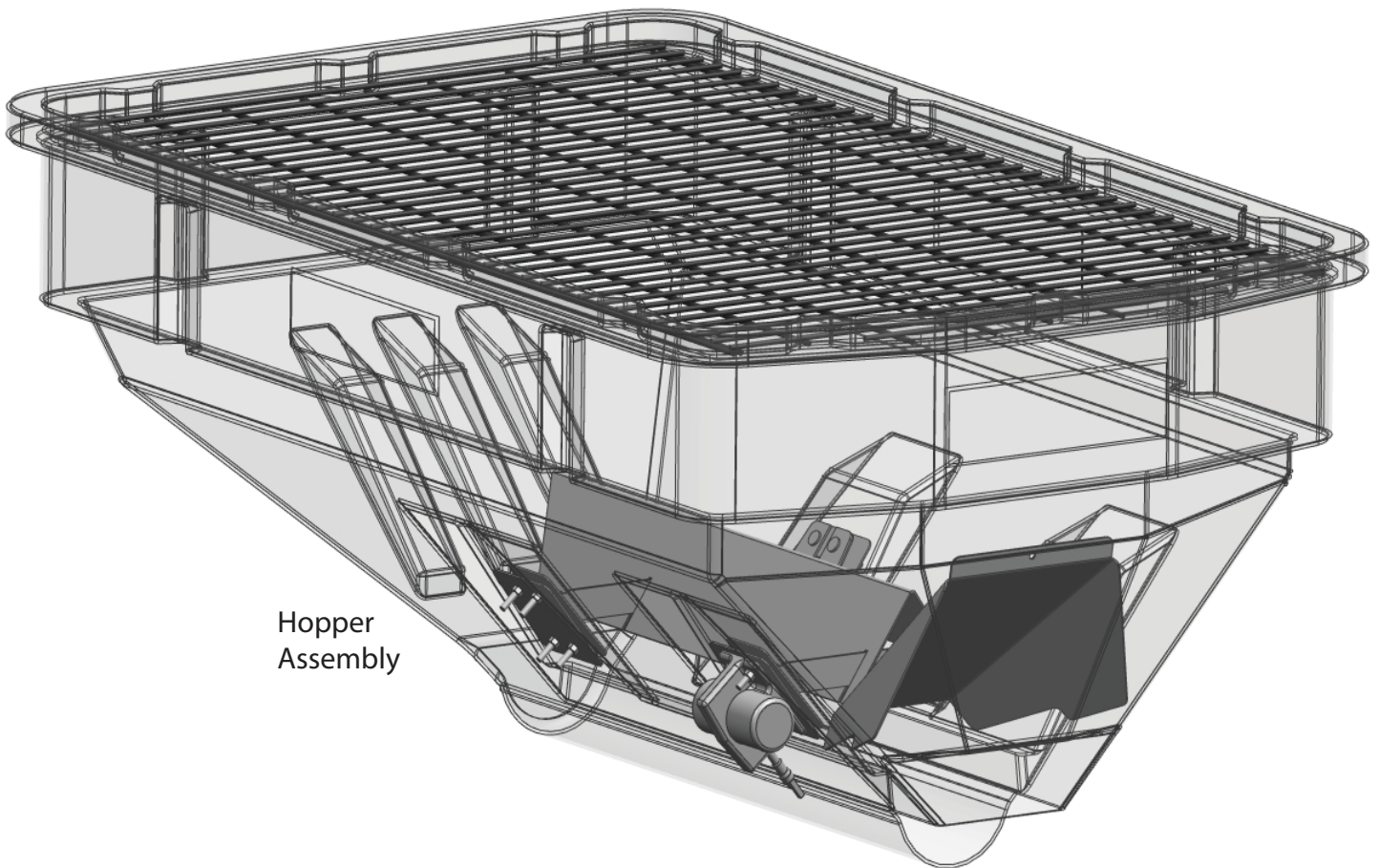


Tow Pro 7000

Hopper Parts Breakdown



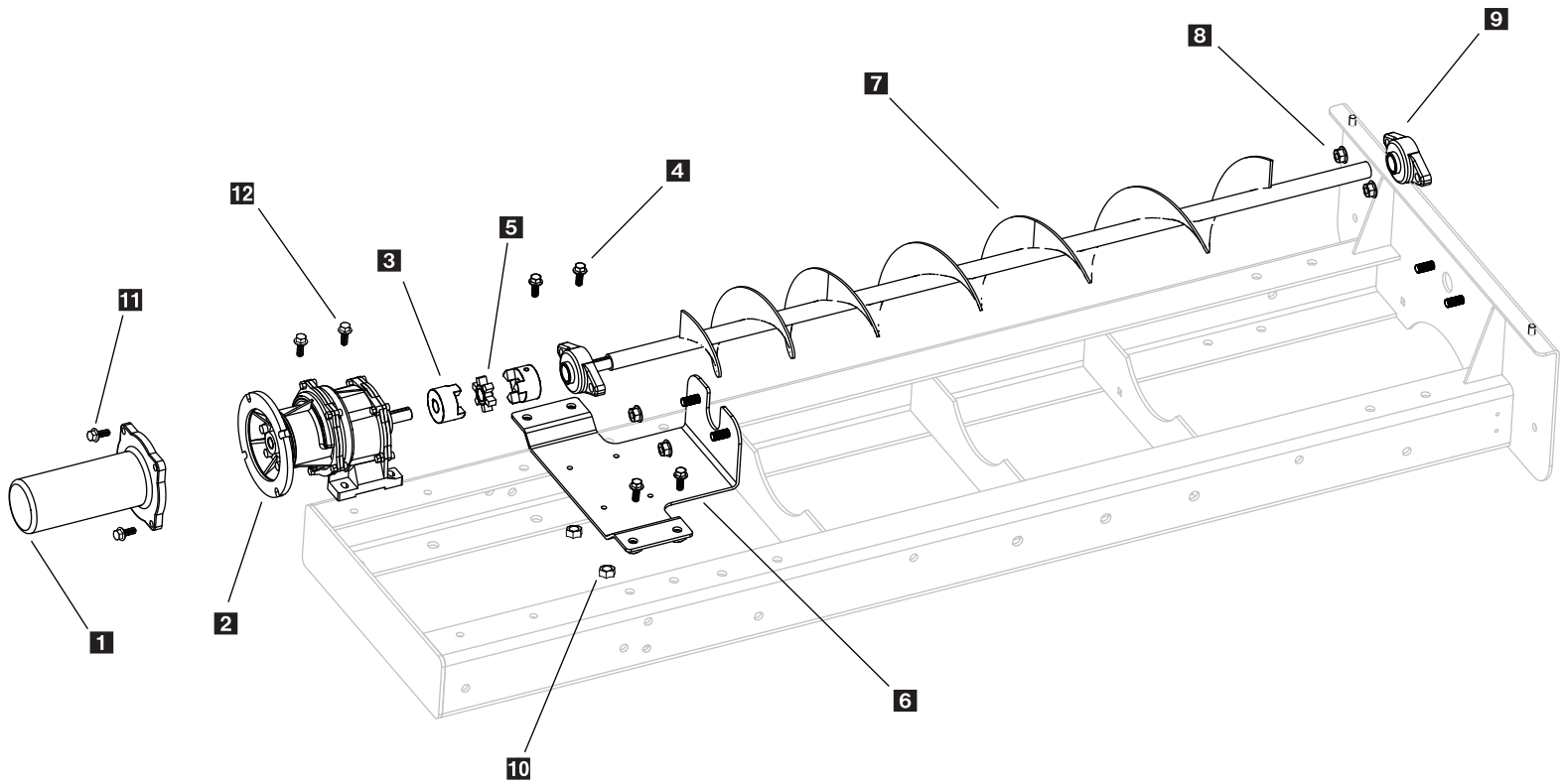
Key	Part No.	Description	Qty.
1	D 5580	4500 Hopper	1
2	D 5512	Top Screen	1
3	T 30758	Inverted-V Assembly	1
4	D 5508	Inverted-V Backing Plates	4
5	D 4121	3/8"-16 x 1" Hex Bolt	8
6	D 5517	Salt Discharge Baffle	1
7	D 6515	Heavy Duty Vibrator	1
8	D 6874	1/4" x 1-1/2" Self Drilling Screw	8
9	D 4124	3/8" lock Nut	8
10	D 4125	3/8" flat washer	1



Hopper
Assembly

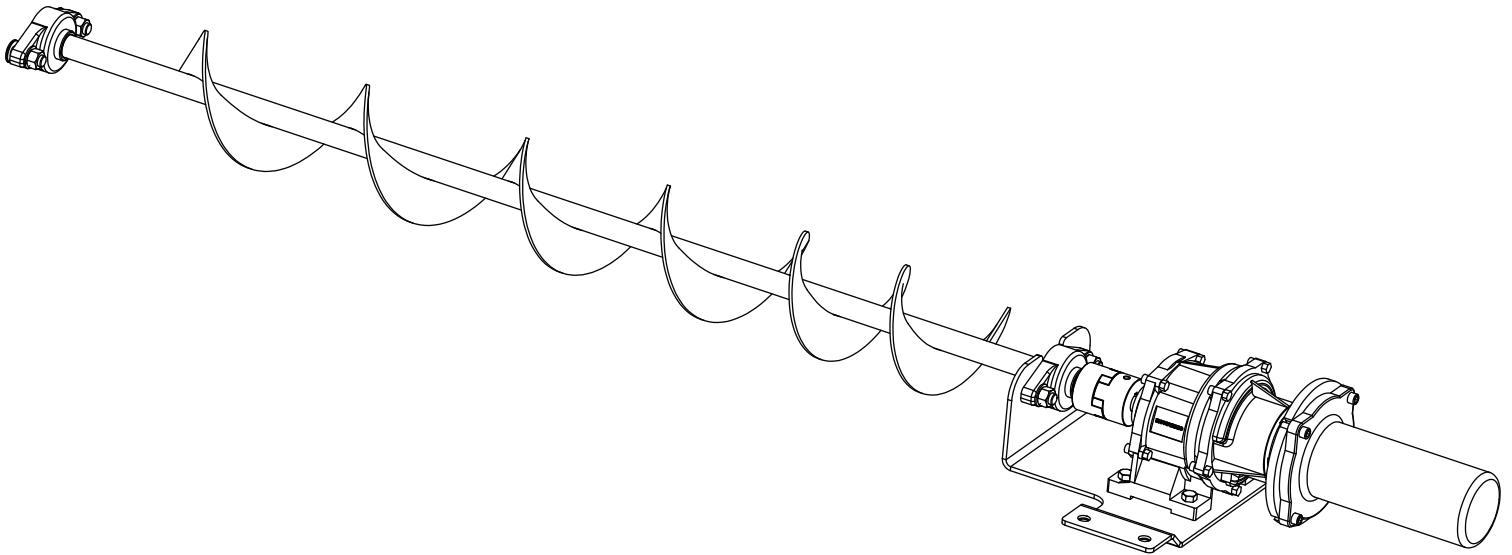
Tow Pro 7000

Auger Drive Assembly



Tow Pro 7000

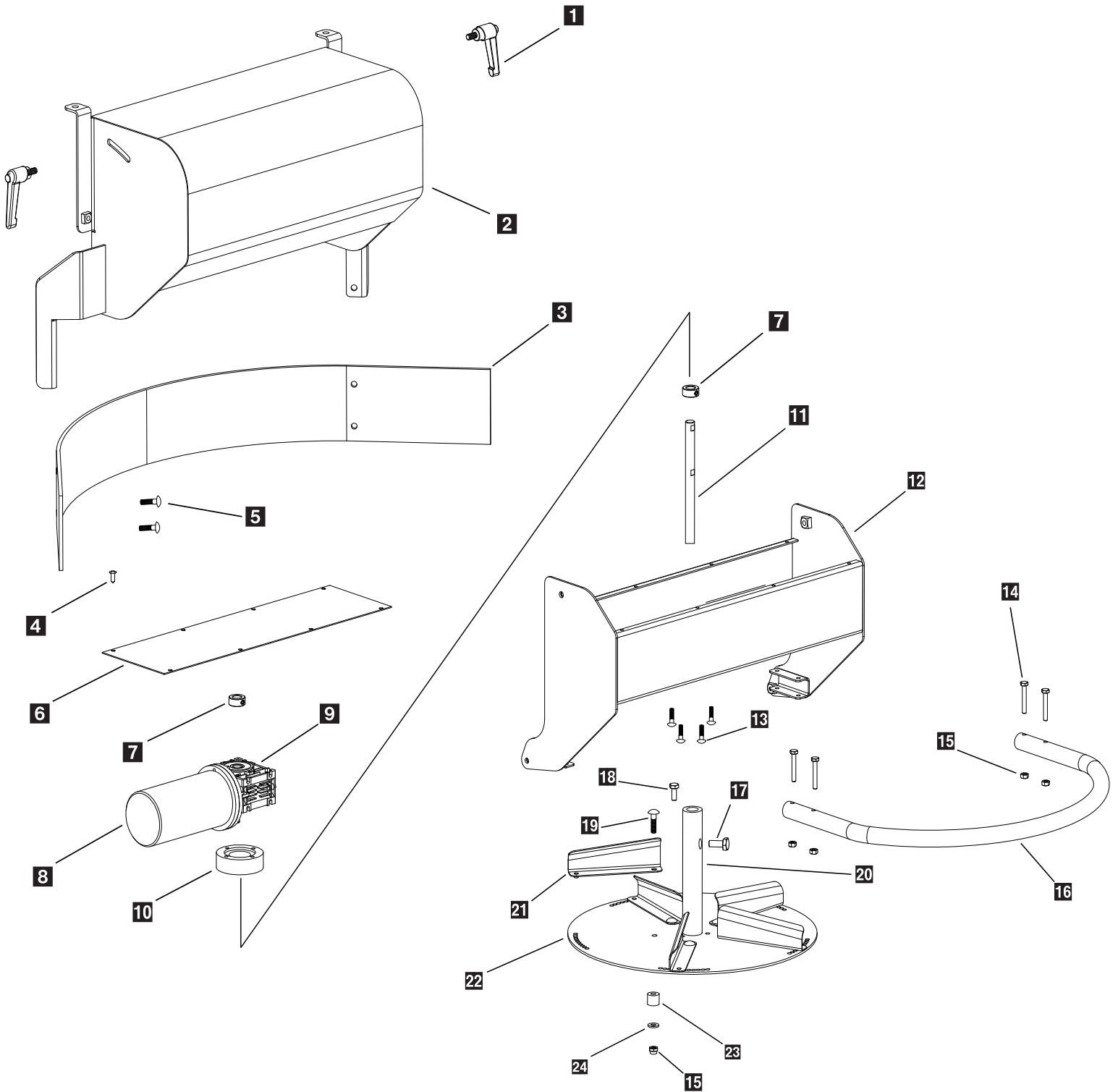
Auger Drive Parts Breakdown

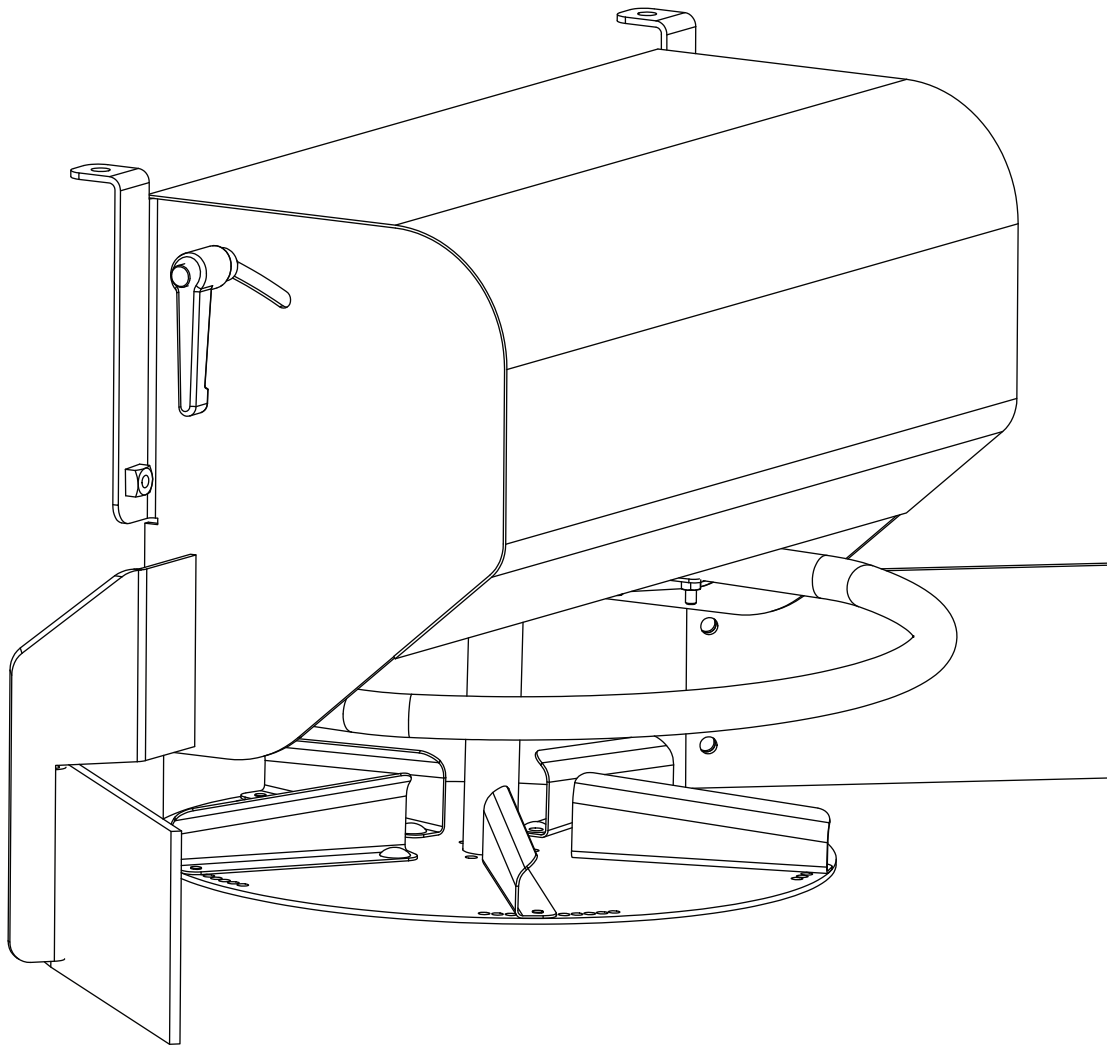


Key	Part No.	Description	Qty.
1	D 5522	1/3 HP Auger Motor	1
2	T 30767	Auger Transmission	1
3	D 5532	Auger Coupling	2
4	D 6528	1/2-13 x 1 Serrated Flange Bolt	4
5	D 5533	Coupling Spyder	1
6	T 30791	Trans Support Bracket	1
7	T 30760	Auger	1
8	D 5535	1/2-13 Serrated Flange Nut	4
9	D 5527	Auger Bearing	2
10	D 5706	5/16-18 Flange Nut	4
11	D 6452	3/8-16 x 1 Serrated Flange Bolt	4
12	D 6524	5/16-18 x 1-1/2 Flange Bolt	4

Tow Pro 7000

Spinner Drive Assembly

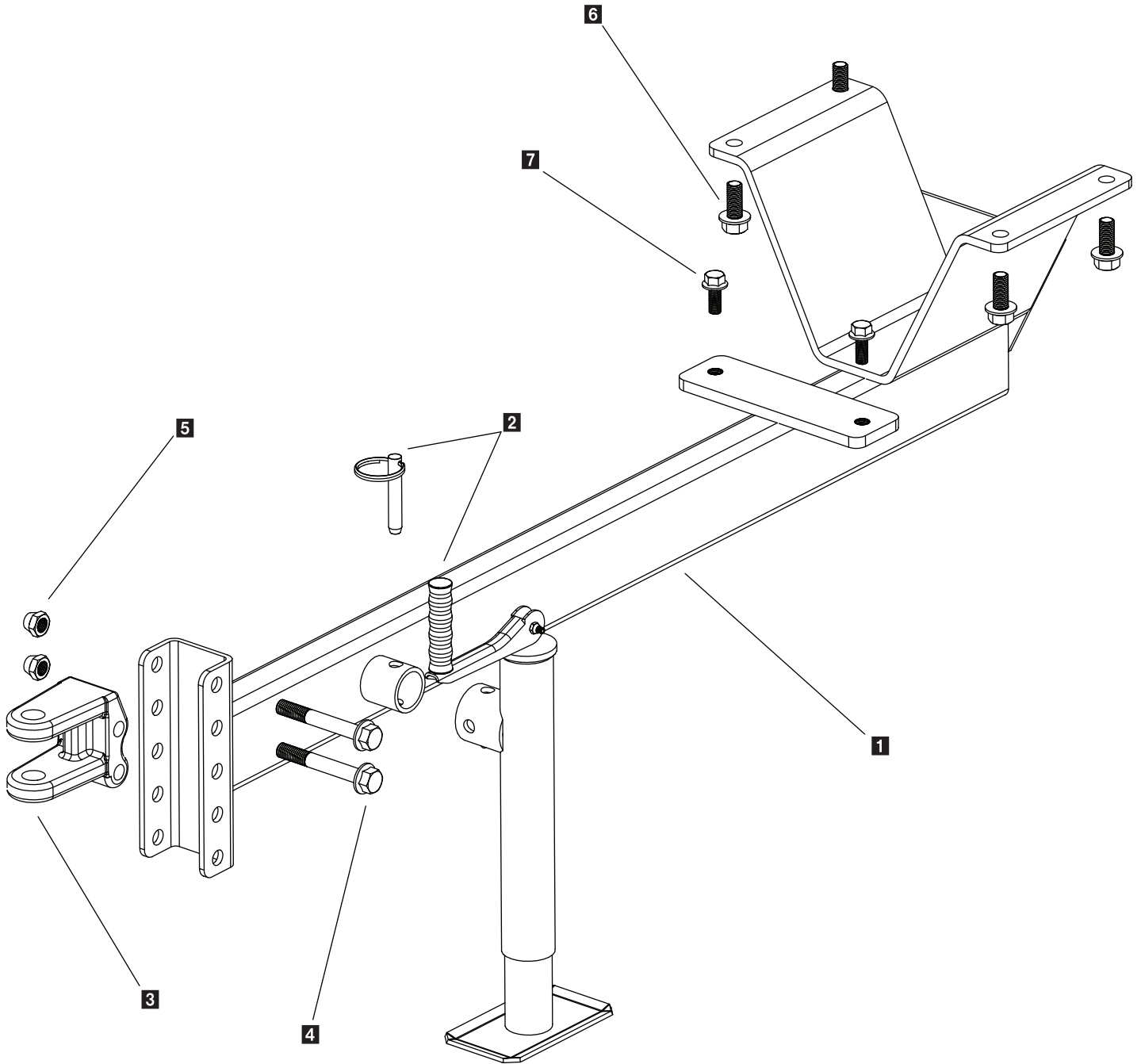




Key	Part No.	Description	Qty.	Key	Part No.	Description	Qty.
1	T 30796	Tilt Locking Knob	2	16	T 30748	Spinner Tube Guard	1
2	T 30771	Spinner Tilt Shroud	1	17	D 6133	5/16-18 x 1/2 Hex Head	1
3	T 30772	Deflector	1	18	D 6132	1/4-20 x 3/4 Serrated Flange Bolt	3
4	D 6467	Black Push In Retainer	8	19	T 30218	1/4-20 x 1-1/4 Pan Head Stainless Steel	5
5	D 6463	Large Push In Retainer	4	20	D 6824	Spinner Adapter	1
6	T 30732	Spinner Enclosure Cover	1	21	T 30770	Adjustable Spinner Fin	5
7	T 30743	5/8 Shaft Collar	2	22	T 30766	Spinner Plate	1
8	T 30768	Spinner Motor	1	23	T 30217	Spring .360 x .047 x 1	5
9	T 30799	Spinner Transmission	1	24	T 15014	1/4 Flat Washer	5
10	T 30785	Spinner Transmission Spacer	1				
11	T 30794	Spinner Shaft	1				
12	T 30759	Spinner Motor Enclosure	1				
13	T 30734	M6 - 1.00 x 35mm Stainless Hex Head	4				
14	T 30726	1/4-20 x 1-1/2 Hex Head Stainless	4				
15	T 15016	1/4-20 Nylox Nut Stainless Steel	8				

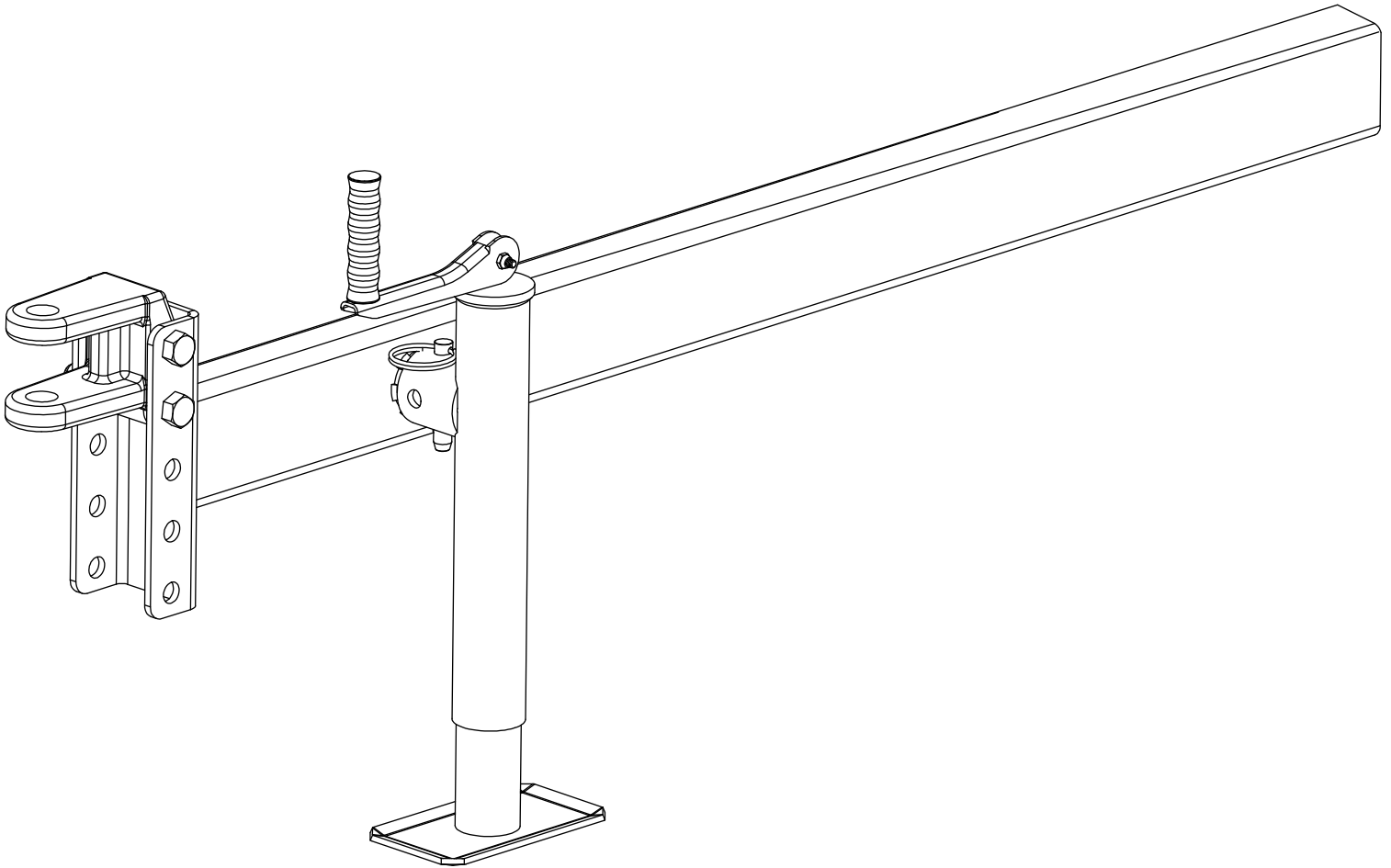
Tow Pro 7000

Trailer Drawbar Parts Breakdown



Tow Pro 7000

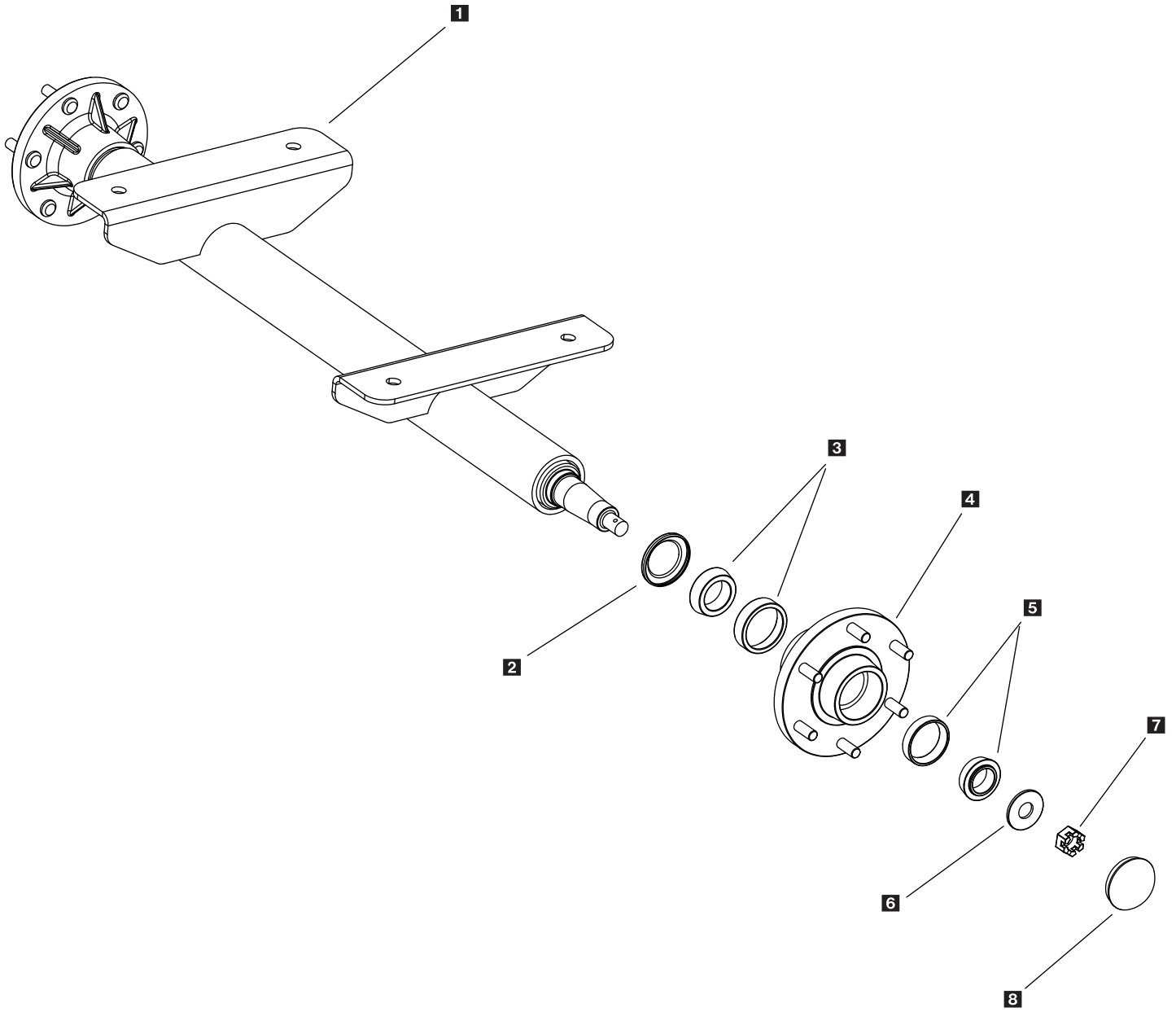
Trailer Drawbar Assembly



Key	Part No.	Description	Qty.
1	T 30755	Trailer Drawbar	1
2	T 30789	Jack Stand	1
3	T 30790	Clevis	1
4	T 30747	5/8-14 x 4-1/2 Hex Head	2
5	D 4127	5/8-11 Nylox Zinc	2
6	D 6528	1/2-13 x 1 Serr Flange Bolt	4
7	D 6452	3/8-16 x 1 Serr Flange Bolt	2

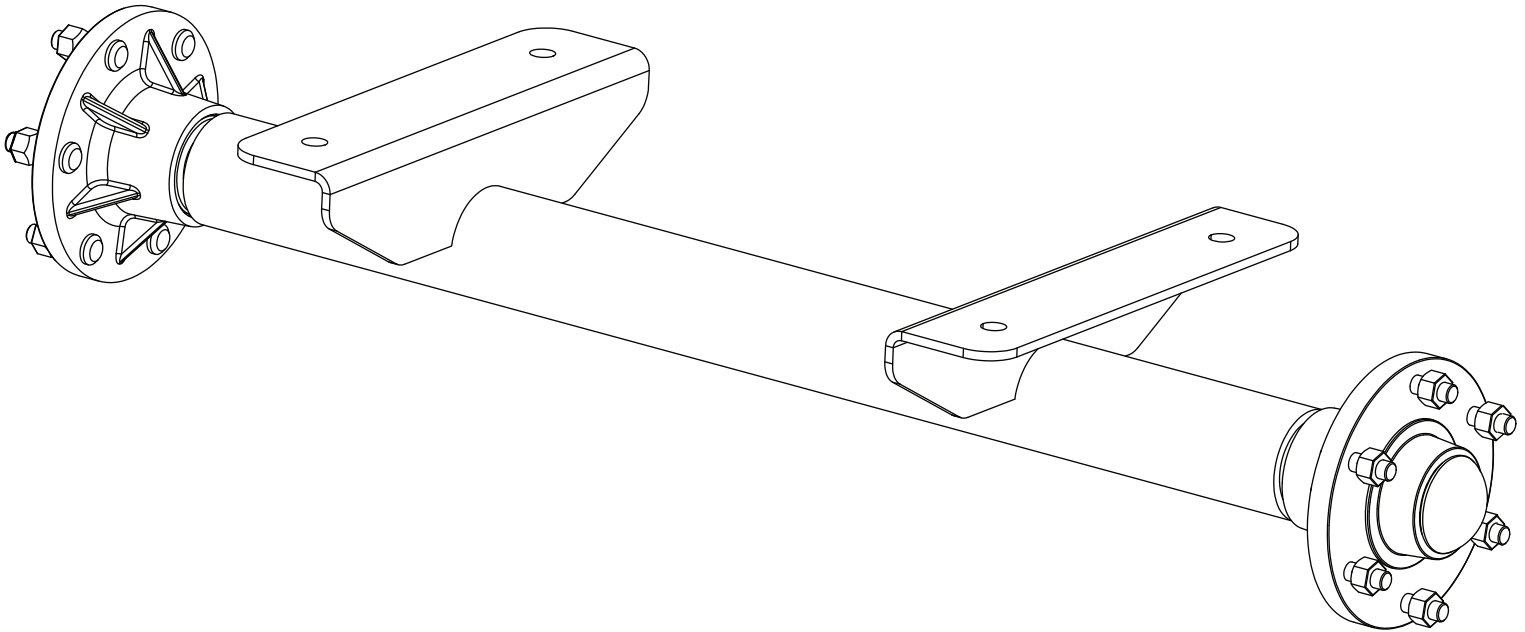
Tow Pro 7000

Axle Assembly



Tow Pro 7000

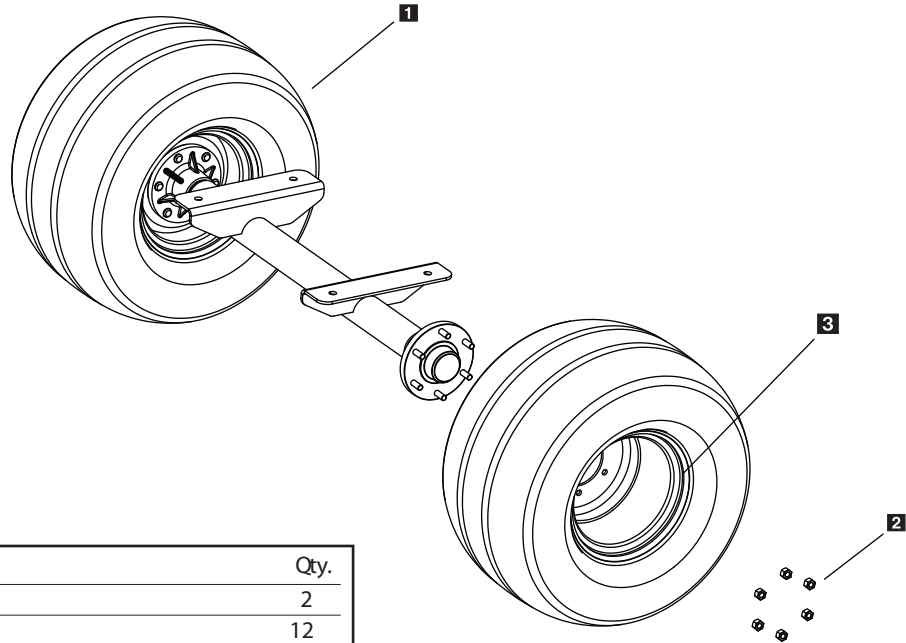
Axle Parts Breakdown



Key	Part No.	Description	Qty.
1	T 30756	Axle	1
2	T 30779	Grease Seal	2
3	T 30777	Inner Bearing	2
4	T 30753	Wheel Hub	2
5	T 30778	Outer Bearing	2
6	T 30738	3/4 Flat Washer	2
7	T 30739	3/4-16 Slotted Hex Nut	2
8	T 30781	Axle Cap	2

Tow Pro 7000

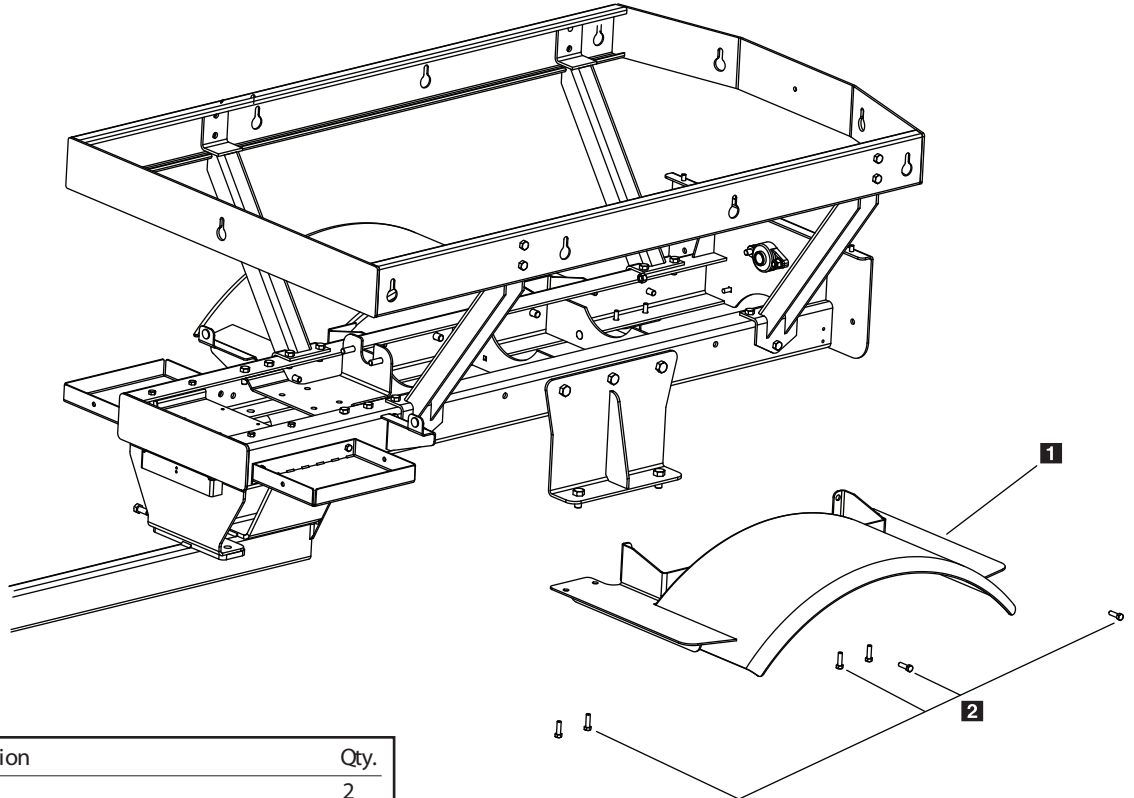
Wheel Assembly



Key	Part No.	Description	Qty.
1	D 5581	Tire	2
2	T 30780	Lug Nut	12
3	D 5582	Rim	2

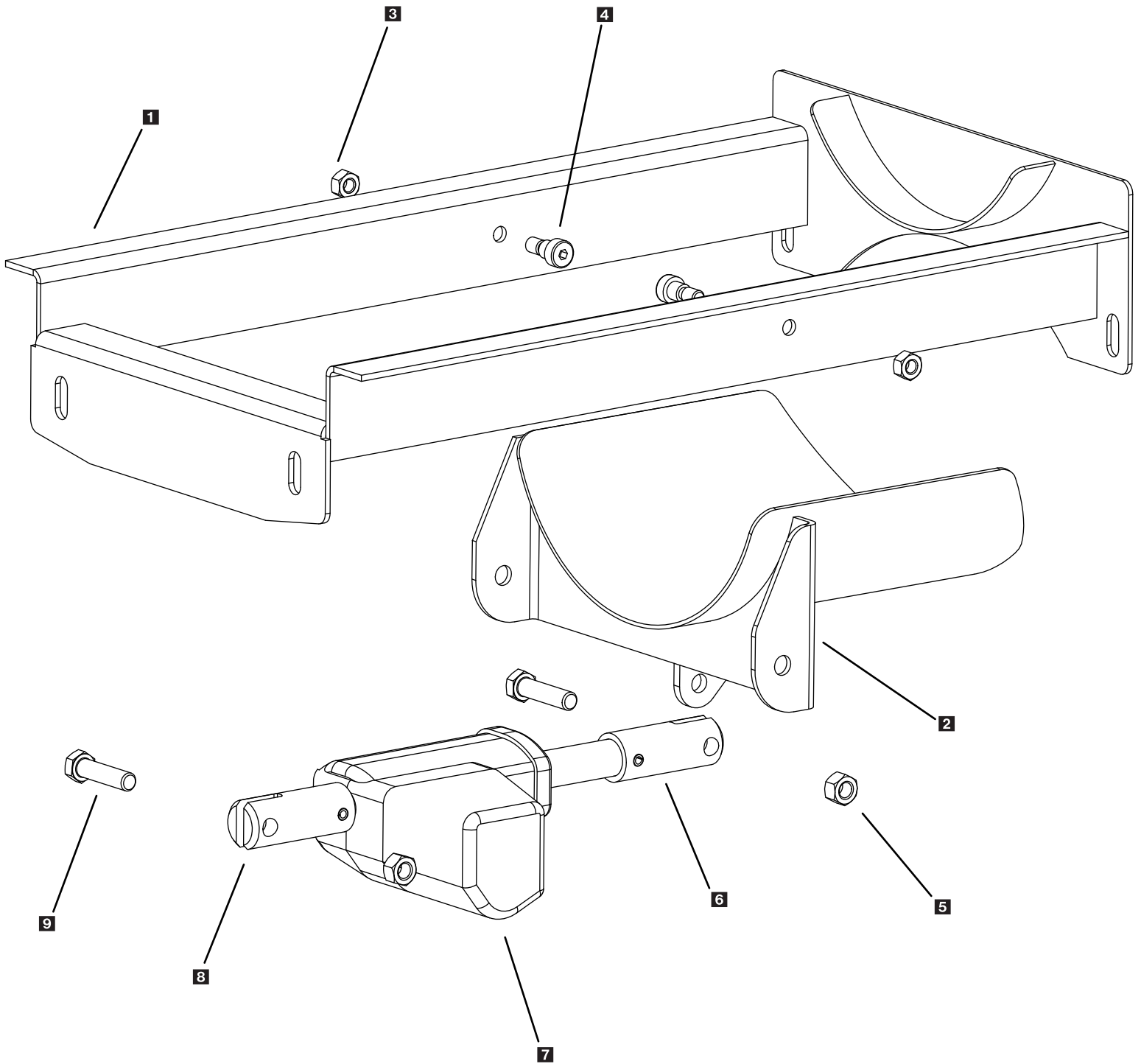
Tow Pro 7000

Fender Assembly

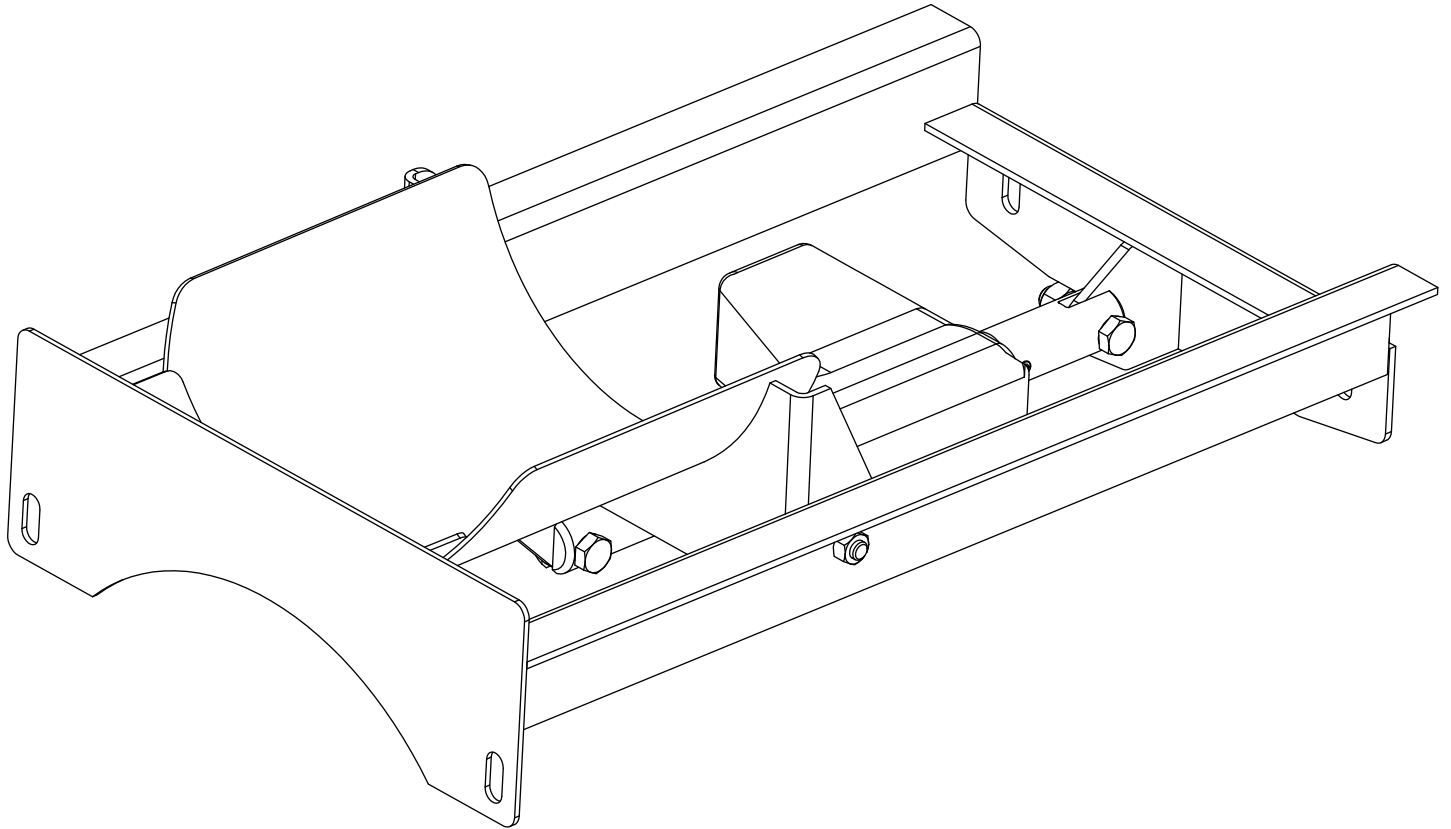


Key	Part No.	Description	Qty.
1	T 30784	Fender	2
2	D 6528	1/2-13 x 1 Serrated Hex Bolt	12

Tow Pro 7000
Chute Assembly



Tow Pro 7000
Chute Parts Breakdown



Key	Part No.	Description	Qty.
1	T 30798	Gate Frame	1
2	T 30769	Chute Gate	1
3	D 6138	5/16-18 Nylox	2
4	D 5536	3/8-16 Socket Shoulder Bolt	2
5	T 30728	3/8-16 Nylox SS	2
6	T 30729	Actuator Rod Adapter	1
7	T 30773	Gate Actuator	1
8	T 30744	Actuator Mount Adapter	1
9	T 30727	3/8-16 x 1-1/2 HHCS SS	2

Tow Pro 7000

Assembly Instructions



Step 1: Remove axle assembly from pallet.

Step 2: Remove wheels from pallet.

Step 3: Remove drawbar assembly from pallet.

Step 4: Remove contents from inside spreader hopper area.

Step 5: Remove holddown anchors from spreader and lift off pallet using a crane or forklift. Be sure to use proper stacking techniques when lifting.

Step 6: Mount axle and drawbar assemblies to spreader with supplied hardware.

Step 7: Mount wheels to axle with lug nuts provided.

Step 8: Remove battery cover and wire main power harness to control module (see electrical section).

Step 9: Install spinner assembly on rear of spreader over pins and fasten with 3/8-16 bolts provided. Plug spinner power cord to plug mounted at rear of spreader.

Step 10: Install deflector onto spinner assembly with large black push pins provided.

Step 11: Refer to electrical section for vehicle wiring instructions.

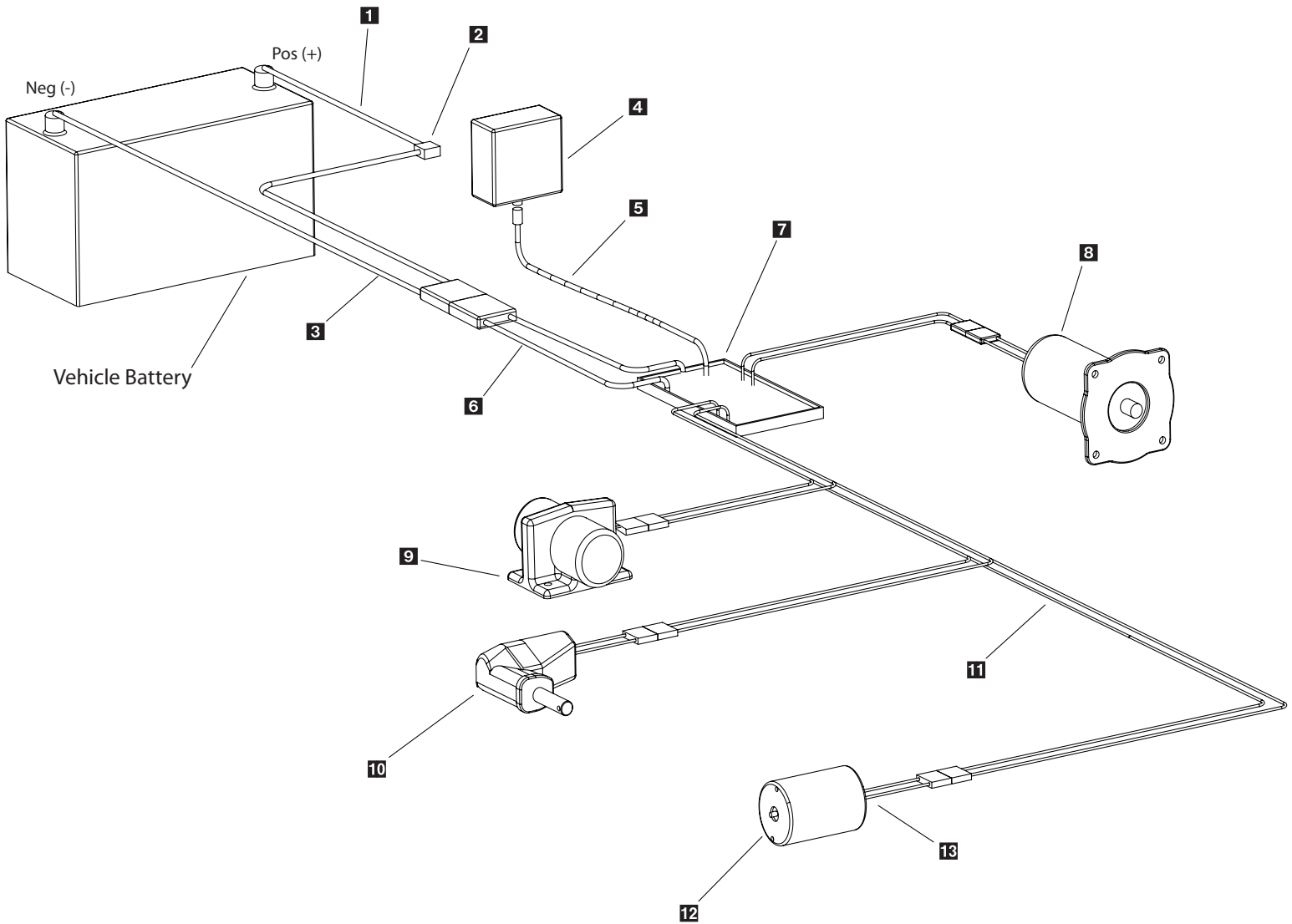
- Step 1: After drawbar is secured to trailer, main power feed must be attached to control module.
- Step 2: Remove battery cover at front of spreader and locate positive and negative posts on control module. Attach red lead to (+) positive post and black to (-) negative post. Tighten nuts down but take care not to over tighten as this could cause damage to control module.
- Step 3: When wiring vehicle, size of alternator must be determined. Turfex recommends a minimum of 75 amps without reserve batteries.**
- Step 4: Vehicle harness D-6837 is provided for customer. Starting at rear of vehicle route harness toward battery in safest manner avoiding hot areas and moving parts. Attach harness using supplied zip tie wraps.
- Step 5: Attach circuit breaker in convenient location.
- Step 6: Attach securely black (-) to ground post on battery
- Step 7: Attach securely red (+) to circuit breaker
- Step 8: Attach securely red jumper wire provided between circuit breaker and (+) positive post on battery.
- Step 9: Plug in trailer and test all functions for proper operation. Refer to troubleshooting guide if an issue should occur.

** If reserve batteries are determined necessary, turfex recommends dual deep cell type #27 batteries. A minimum of 6 ga. wire should be used to insure proper voltage to the system.

THIS PAGE INTENTIONALLY LEFT BLANK

SP-7000

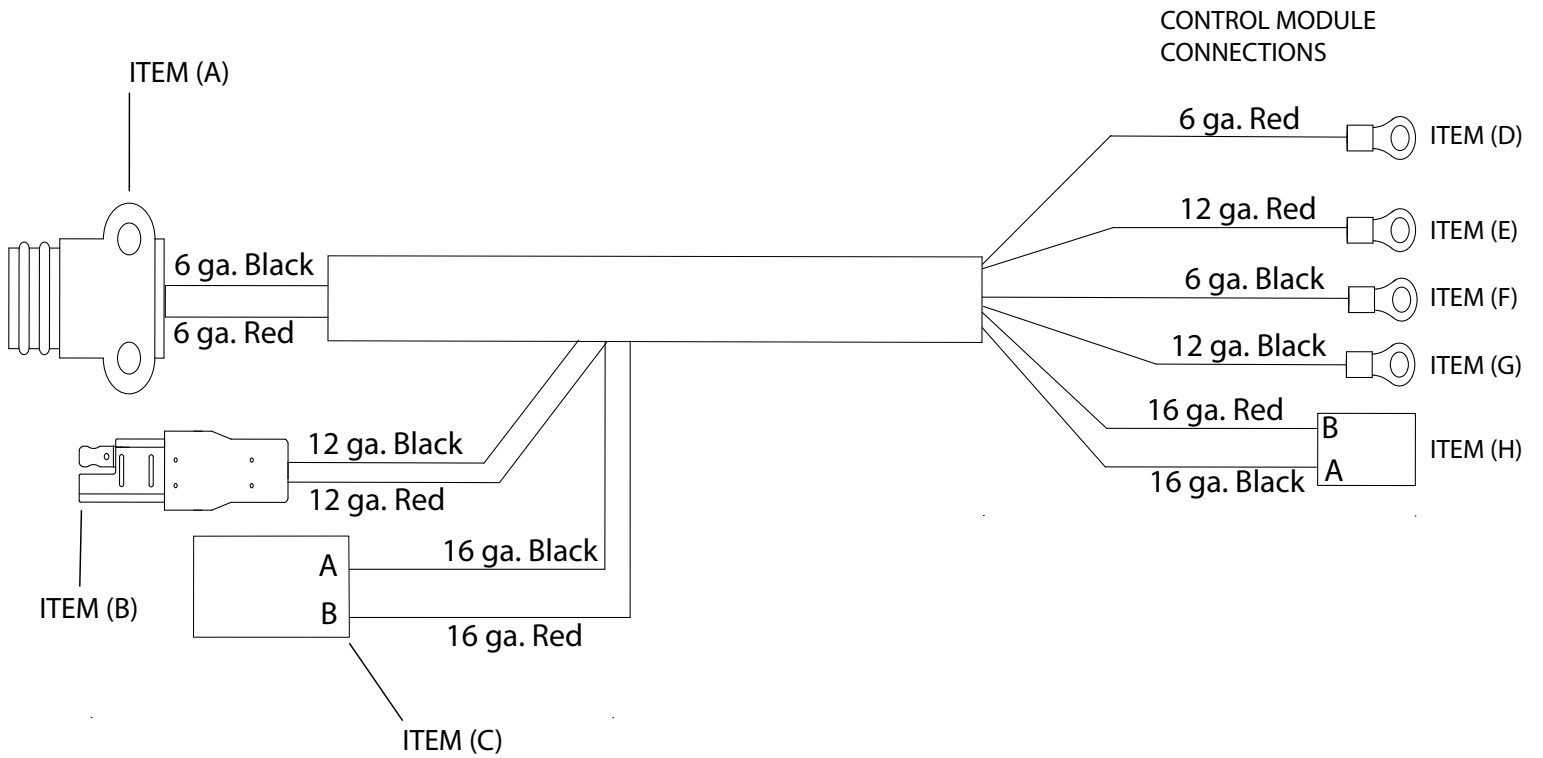
Electrical System



Special Notes:

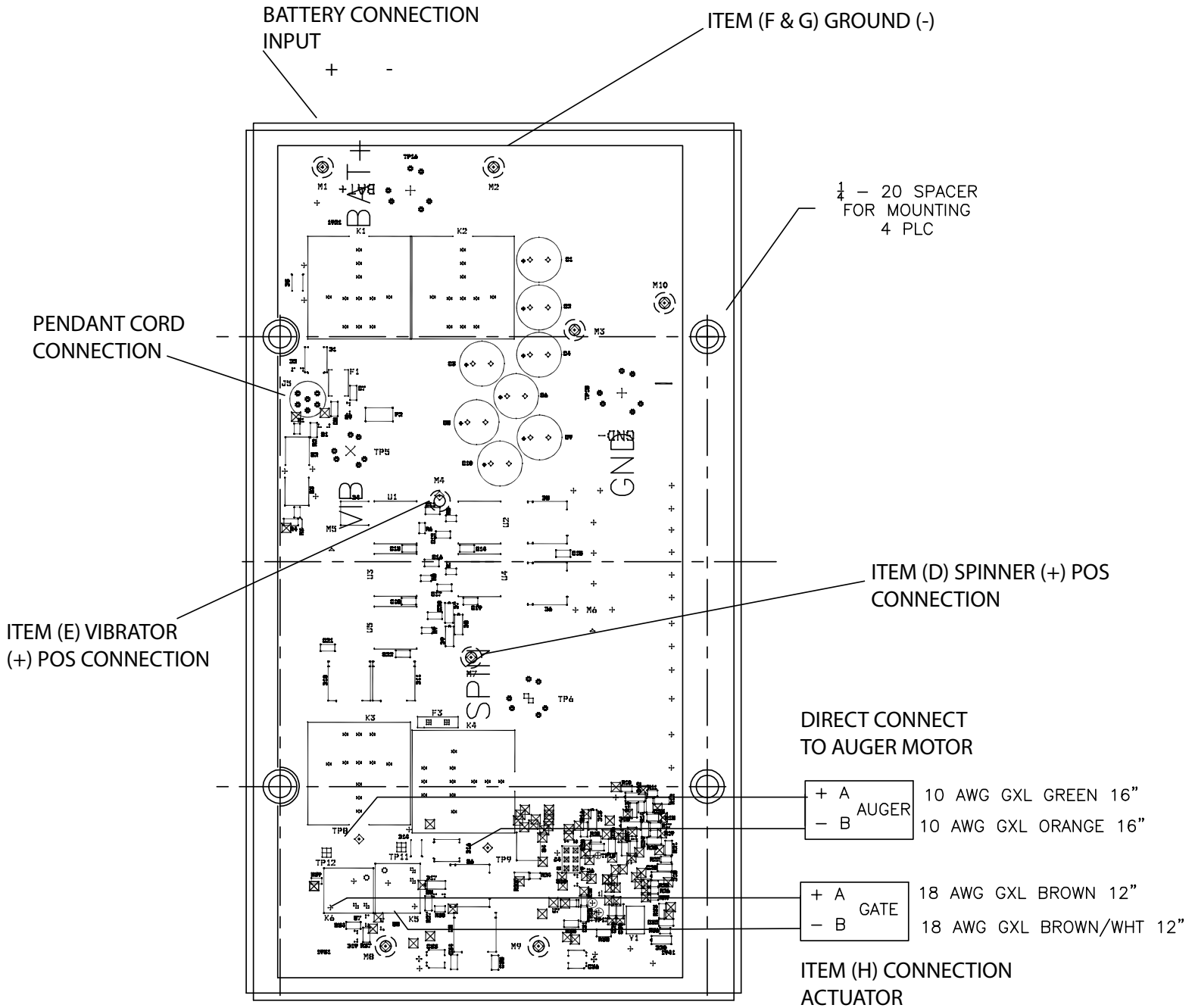
1. All external connections must have dielectric grease.
2. Read lead labels before attaching to power source or ground.
3. No other devices may be spliced into wiring harness.
4. Any repairs to wiring harness must be done with heat shrink butt connectors.
5. If vehicle alternator is less than 75 amps **USER MUST** install two deep cell batteries. Fasten to battery trays with straps provided (T-30749). Wire used must be at least 6 ga. minimum. Recommended battery size is a group 27 type.

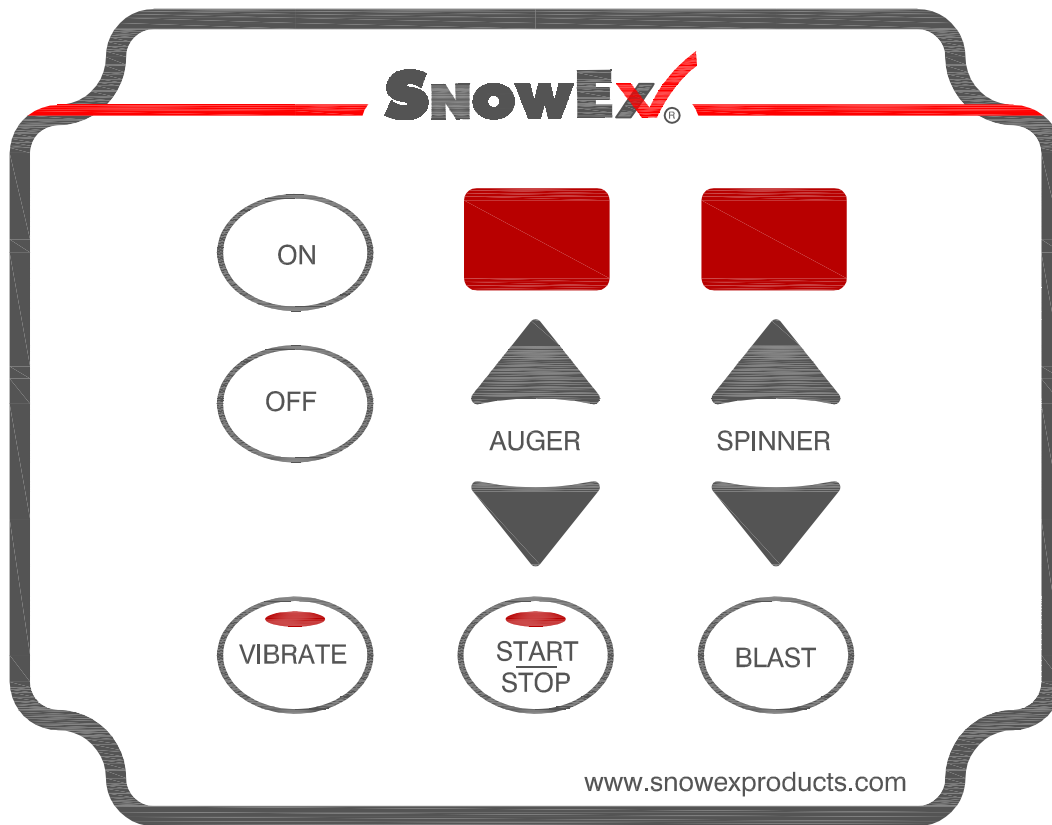
Key	Part No.	Description	Qty.
1	D 6839	6 Ga. Breaker Wire	1
2	D 6851	100 Amp Resettable Breaker	1
3	D 6837	12 Inch Power Cord	1
4	D 5587	Operator Pendant	1
5	D 30787	Pendant Cable	1
6	D 30795	Trailer Power Harness	1
7	D 30762	Control Module	1
8	D 5522	Auger Motor	1
9	D 6515	Vibrator	1
10	T 30773	Gate Actuator	1
11	T 30761	Trailer Harness	1
12	T 30768	Spinner Motor	1
13	T 30746	Spinner Cord Adapter	1



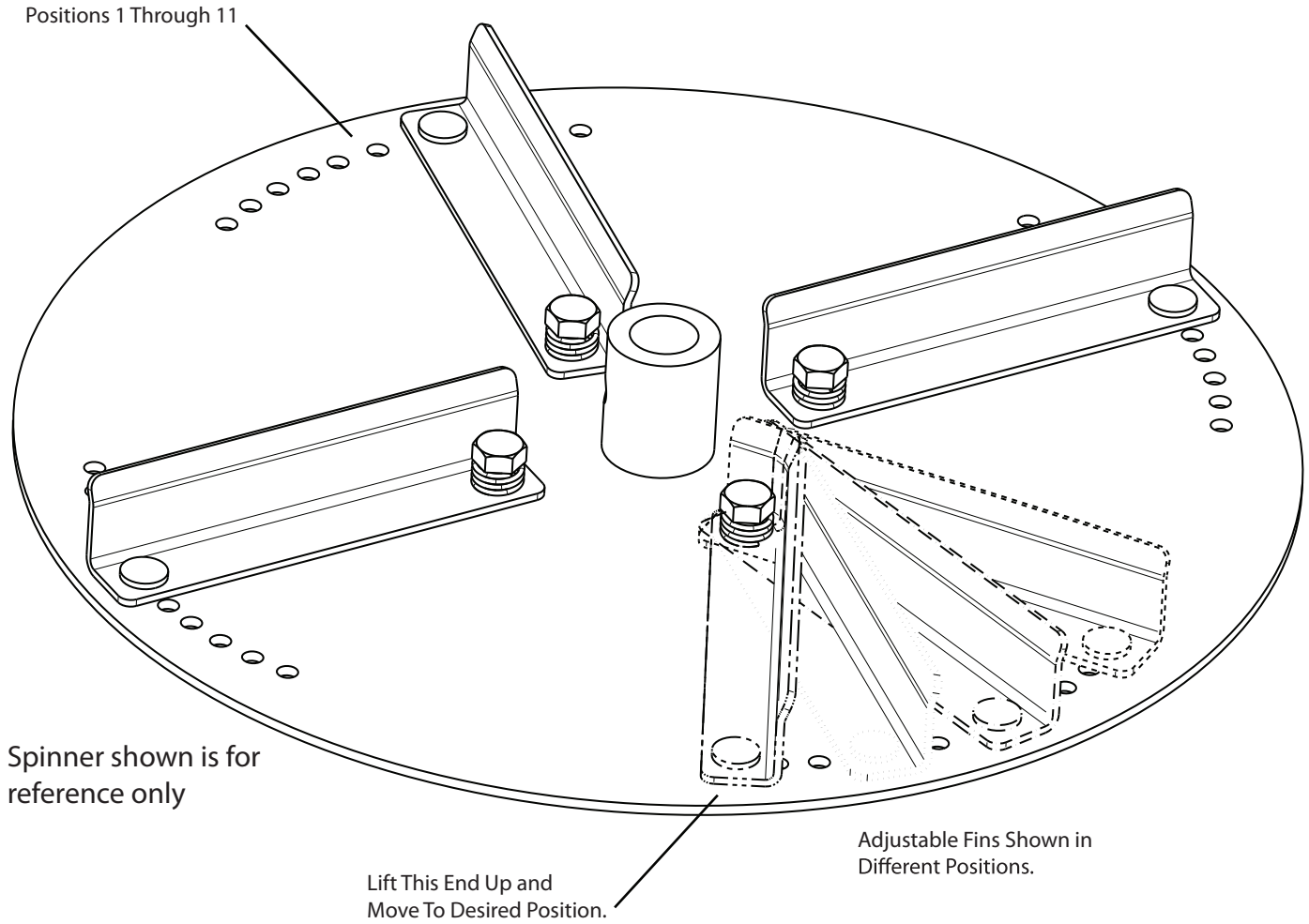
CONNECTION KEY

- ITEM (A) Spinner Plug
- ITEM (B) Vibrator Plug
- ITEM (C) Gate Actuator
- ITEM (D) Spinner Positive (+)
- ITEM (E) Vibrator Positive (-)
- ITEM (F) Ground (-)
- ITEM (G) Ground (-)
- ITEM (H) Gate Actuator

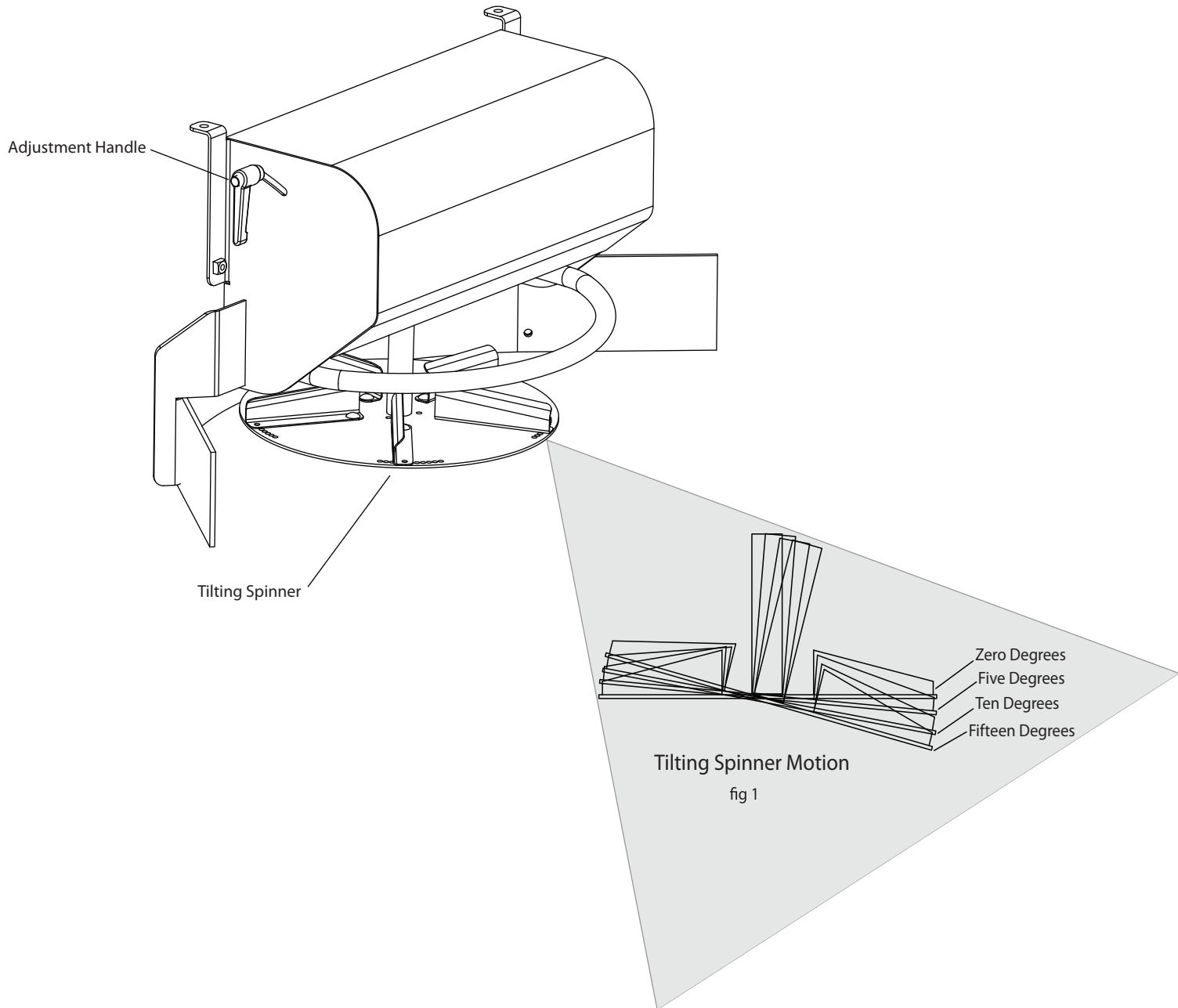




Adjustable Spinner Assembly



The purpose of the adjustable fin is to provide a way to adjust spread patterns with different materials. You can select the desired position by simply lifting up on the outside top edge. You will notice that different materials act in different ways in relation to spinner speed. By moving the fins you will be able to correct most pattern issues without having to sacrifice spinner speed. All adjustments should be made on pavement and positions noted for future reference, this process should be incorporated into your normal calibration process.



Tilting Spinner Plate Instructions

Step 1: Make sure power is turned off or disconnected.

Step 2: Loosen adjustment handles located on both sides of drive assembly.

Step 3: Grasp spinner tube guard push down or pull up to desired angle see (fig1).

Step 4: Tighten adjustment handles and reconnect power.

Calibration Information

Auger Control Setting	Seconds / Cubic Feet
99	16.5
90	17.0
80	17.5
70	18.0
60	18.5
50	19.0
40	21.5
30	26.0
20	31.0
10	40.0

Auger Control Setting	Cubic Feet / Minute
99	3.64
90	3.53
80	3.43
70	3.33
60	3.24
50	3.16
40	2.79
30	2.31
20	1.94
10	1.50

PREPARATION

CAUTION – Beware of foreign objects or obstacles that could cause personal injury. Keep other persons, children, or animals out of the area to be spread.

SPREADER LOADING

WARNING – Do not overload vehicle. Use chart below to calculate weight of material. Weights of material are an average for dry materials.

<u>Material</u>	<u>Weight Per Cubic Ft.</u>
Fertilizer	35-40 lbs.
Sand	95-120 lbs.

- Warning– Never leave materials in hopper for long periods of time as fertilizer is hygroscopic and will attract atmospheric moisture and harden up.

SPREADING TIPS

- Never exceed 15 m.p.h. when spreading.
- For a wider pass, increase spinner speed.
- For a heavier pass, drive slower, or increase auger speed.
- Never operate spreader near pedestrians.
- Calculate spread pattern when near vegetation.

7000 CONTROL OPERATION

- The Dual Variable Speed Control has dual finger-tip buttons for maximum performance, digital system status with warning protection and built-in Vibrator Switch.
- To start, press power switch on controller and adjust auger and spinner to desired speed.
- The start/stop should be used between greens.
- To begin operation press start/stop button and wait for flow to begin before moving vehicle.
- To stop, press power switch on controller to off position.
- Speed of auger and spinner may be adjusted separately to get desired flow and spread distance from spreader.
- The Vibrator Switch is needed for dense material or to increase the flow to the auger. This eliminates bridging of material in hopper.

WARNING PROTECTION

- If audible beeping occurs, read display to identify problem. If display reads "OL" (overload) or "OH" (overheat). Shut controller down and carefully clear jammed auger. If display reads "E1" this means there is a dead short in system. Do not use until problem is corrected. If display reads "E 0" this means that the motor is not getting any power. Check all connections. If display reads "LB" the vehicle battery is extremely low (possibly caused by a poor or corroded connection) and could damage the system.
- If there are any problems while operating the spreader, refer to Troubleshooting Guide.

- **WARNING** – When servicing is necessary, perform it in a protected area. Do not use power tools in rain or snow because of danger of electrical shock or injury. Keep area well lighted. Use proper tools. Keep the area of service clean to help avoid accidents.
- **WARNING** – Disconnect electricity to spreader before servicing.
- **CAUTION** – The controller is a solid state electronic unit and is not serviceable. Any attempt to service will void warranty.
- **CAUTION** – There are no serviceable parts in the motor/transmission assembly. Any attempt to service will void warranty.
- **CAUTION** – When replacing parts use only original manufacturer’s parts. Failure to do so will void warranty.
- Use di-electric grease on all electrical connections to prevent corrosion at the beginning and end of the season and each time plugs are disconnected.
- Gently wash unit after each use to prevent material build-up and corrosion.
- **CAUTION** – When pressure washing motor enclosure area stay at least 36" away from all electrical items.
- Paint or oil all bare metal surfaces at the end of the season.
- Apply small amount of light oil to latches as needed.
- If motor cover is removed for any reason, use silicone sealant to ensure weather proofing of enclosure.
- Grease bearings after every 20 hours use.
- After first use, tighten all nuts and bolts on spreader and mount.
- **WARNING:** Never remove spreader with material in hopper.

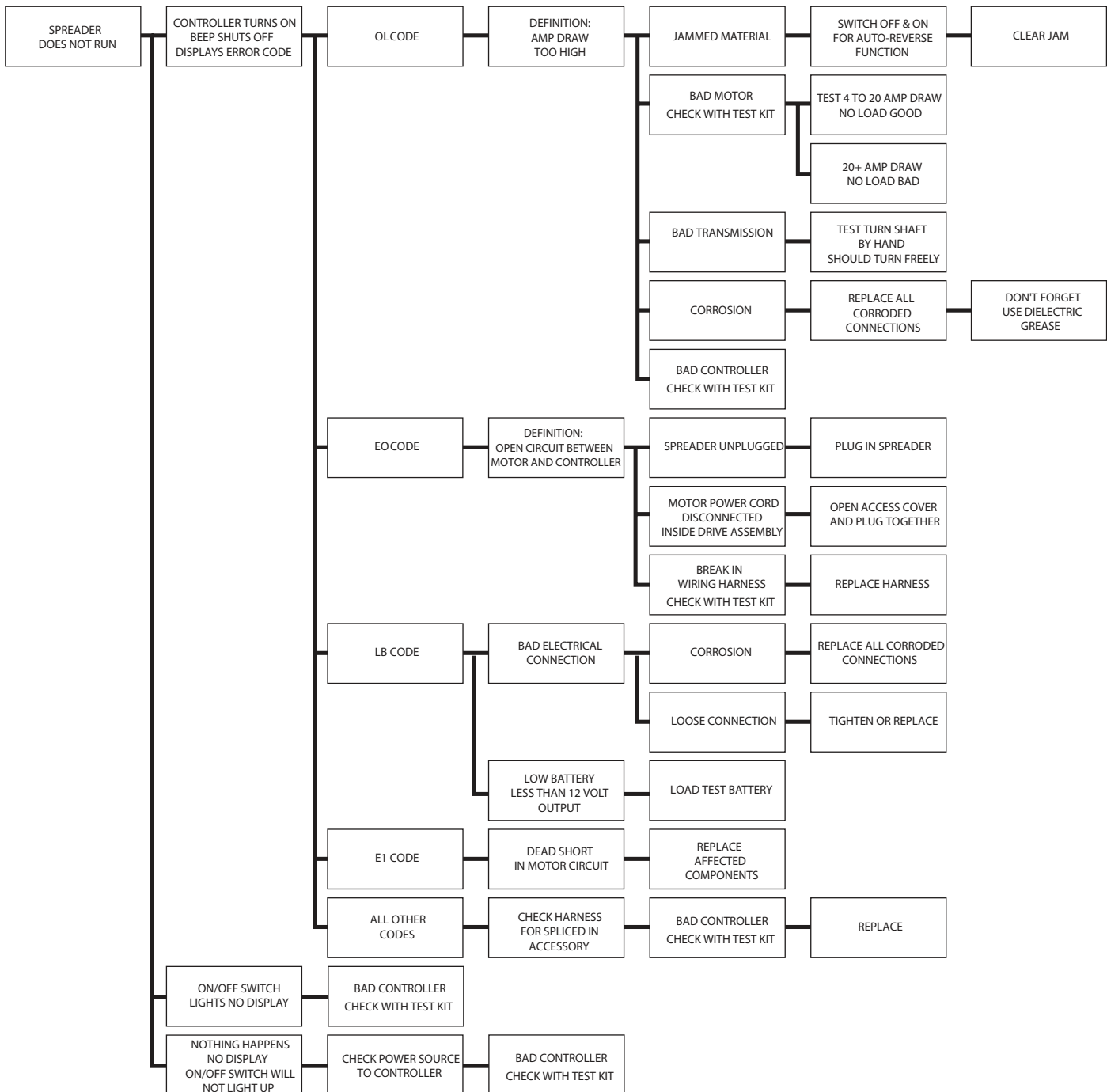
Whenever service is necessary, your local TurfEx Dealer knows your Spreader best. Take your Spreader to your local dealer for any maintenance or service needs on your unit. If this is not possible, the Troubleshooting Guide below may assist you in identifying the problem.

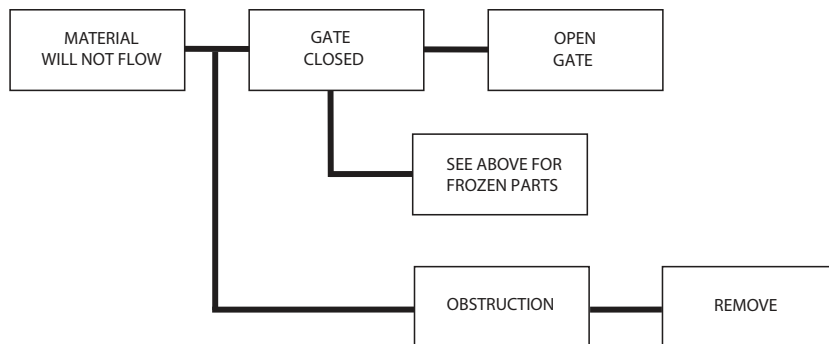
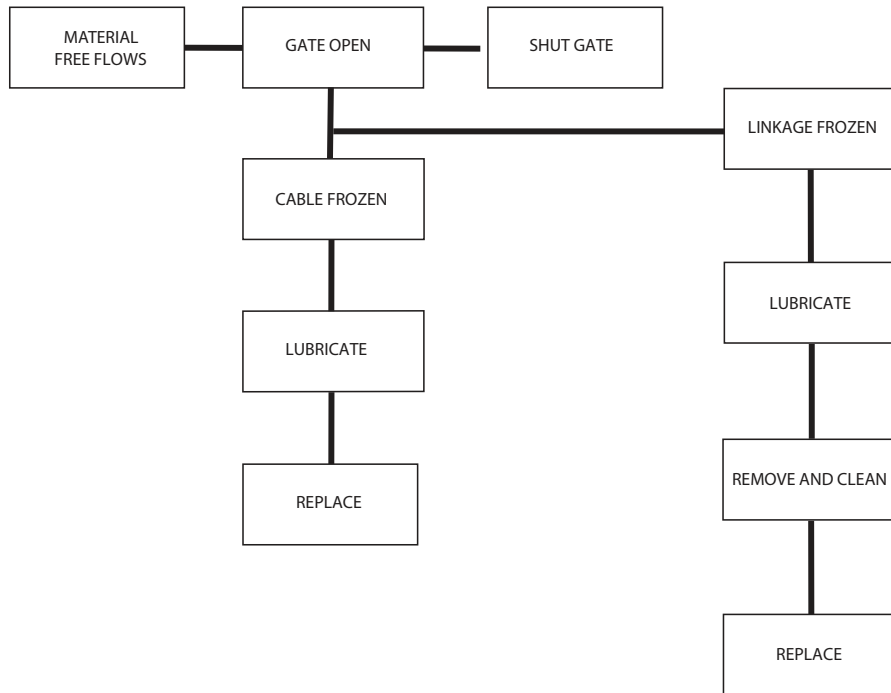
Warning: First read all warning instructions and safety messages before servicing your spreader.

Preliminary Checks

- Be sure all electrical connections are tight and clean.
- Be sure nothing is jammed in the hopper.

PROBLEM	POSSIBLE CAUSE	SOLUTION
Motor doesn't run.	Loose electrical connections.	Check all connections.
	Blown Fuse.	Replace fuse.
	Motor Seized.	Replace motor.
Controller shut down.	Jammed auger.	Carefully clear jammed material.
	Poor electrical connections.	Clean or replace connectors. Use dielectric grease.
	Electrical short.	Check electrical connections. Check for bare wires.
	Controller failure.	Replace controller.
Material not flowing from hopper.	Empty hopper.	Fill hopper.
	Wet material.	Replace with dry material.
	Frozen or coarse material.	Replace material.
	Spinner not turning.	Check drive assembly.
	Auger loose on shaft.	Tighten locking bolt on the side of the auger. There is a flat machined on the driver shaft. Align the auger with this flat and tighten the bolt.
	Vibrator not working.	Replace vibrator
Audible alarm beeping and display shows OL or OH.	Jammed auger, overload shut down.	Turn off for three seconds, then restart. If shut down continues, turn off controller. Clear debris and lumps from auger areas.
Audible alarm beeping display shows E1.	Short in system.	Turn off. Do not use until problem is corrected.
Audible alarm beeping display shows EO.	Motor is not getting power.	Turn off. Check all connections.
Audible alarm beeping display shows LB.	Vehicle battery is extremely low, or a poor connection exists.	Turn off. Charge battery.





THIS PAGE INTENTIONALLY LEFT BLANK

Limited Warranty

Two year warranty on Turfex brand products against defects in material or workmanship under normal use and service, subject to limitations detailed below. Warranty period of two years begins on the date of purchase by the original retail user.

The WARRANTY REGISTRATION CARD must be returned to the manufacturer for this warranty to become effective. This warranty applies to the original retail purchaser only. This warranty does not cover damages caused by improper installation, misuse, lack of proper maintenance, alterations or repairs made by anyone other than authorized Trynex dealers or Trynex personnel. Due to the corrosive properties of the materials dispensed by spreaders, Trynex does not warrant against damage caused by corrosion. Warranty claims by the user must be made to the dealer from where the product was purchased, unless otherwise authorized by Trynex. Trynex reserves the right to determine if any part is defective and to repair or replace such parts as it elects. This warranty does not cover shipping costs of defective parts to or from the dealer.

LIMITATION OF LIABILITY

Neither Trynex, nor any company affiliated with it, makes any warranties, representations for promise as to the performance or quality other than what is herein contained. The liability of Trynex to the purchaser for damages arising out of the manufacture, sale, delivery, use or resale of this spreader shall be limited to and shall not exceed the costs of repair or replacement of defective parts. Trynex shall not be liable for loss of use, inconvenience or any other incidental, indirect or consequential damages, so the above limitations on incidental or consequential damages may not apply to you.

NO DEALER HAS AUTHORITY TO MAKE ANY REPRESENTATION OR PROMISE ON BEHALF OF TRYNEX INTERNATIONAL, OR TO ALTER OR MODIFY THE TERMS OR LIMITATIONS OF THIS WARRANTY IN ANY WAY.

Warranty Registration and Customer Survey



To initiate the warranty on your new TurfexEx product and assure prompt warranty service, please complete the following warranty registration and customer survey, sign and mail it back to the factory within 30 days of purchase.

1) Date of Purchase: _____

2) Name: _____

Address: _____

Phone: _____

3) Turfex Model _____ Serial Number _____

4) Is this your first Trynex Product? Yes No

5) What type of vehicle are you using with your Spreader?

Make _____ Model _____ Year _____

6) What type of material are you using in your spreader? _____

7) TurfEx Dealer Name: _____

TurfEx Dealer Address: _____

TurfEx Dealer Phone: _____

8) Does your Trynex Dealer stock Trynex replacement Parts? Yes No I don't know

9) Do you feel your Trynex Dealer sold you the correct product for your needs/application? Yes No

10) How would you rate your overall satisfaction with your Turfex Dealer?-

<input type="checkbox"/>	<input type="checkbox"/>	<input type="checkbox"/>	<input type="checkbox"/>	<input type="checkbox"/>	<input type="checkbox"/>
Very Satisfied	Satisfied	Somewhat Satisfied	Somewhat Dissatisfied	Dissatisfied	Very Dissatisfied

11) How would you rate your overall satisfaction with your Turfex Product?

<input type="checkbox"/>	<input type="checkbox"/>	<input type="checkbox"/>	<input type="checkbox"/>	<input type="checkbox"/>	<input type="checkbox"/>
Very Satisfied	Satisfied	Somewhat Satisfied	Somewhat Dissatisfied	Dissatisfied	Very Dissatisfied

12) Would you purchase another Trynex Product? Yes No

13) If you would like to receive E-Mail ALERTS for new products, bulletins or special promotions please supply address: _____

14) Please use the space below to convey your comments and/or suggestions.

NOTE: I have read the owner's manual and all safety precautions and I understand that this equipment could be dangerous if not operated with care and under the proper conditions.

15) Owner's signature: X _____

PLEASE FOLD AND SEAL WITH TRANSPARENT TAPE BEFORE MAILING.

Simply Fill Out Your Warranty Registration and Return It to the Factory!

From:



Postage
Required
Post Office will
not deliver
without proper
postage.



23455 REGENCY PARK DR.
WARREN MI 48089-2667

