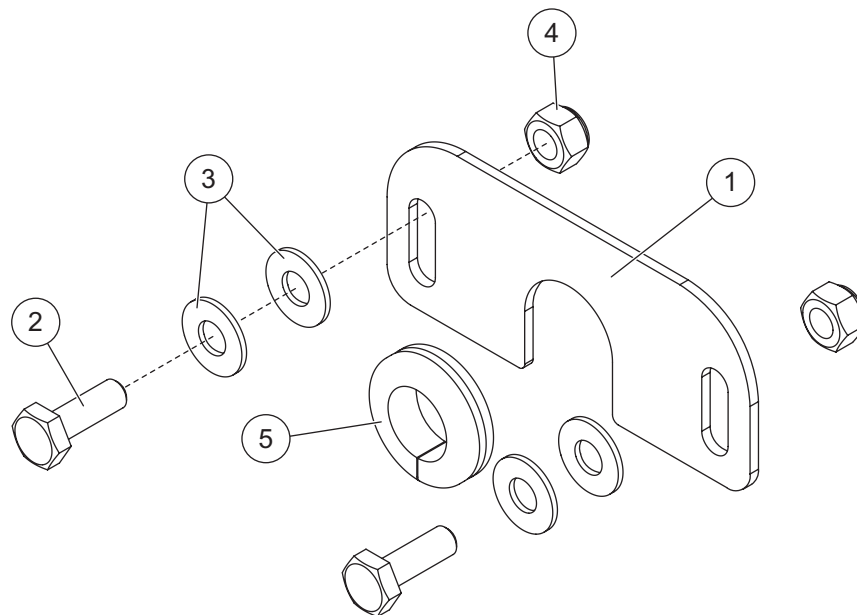


Enclosure Plate Kit

Single-Stage Tailgate Spreaders (SP-575X-1, SP-1075X-1)

PARTS LIST



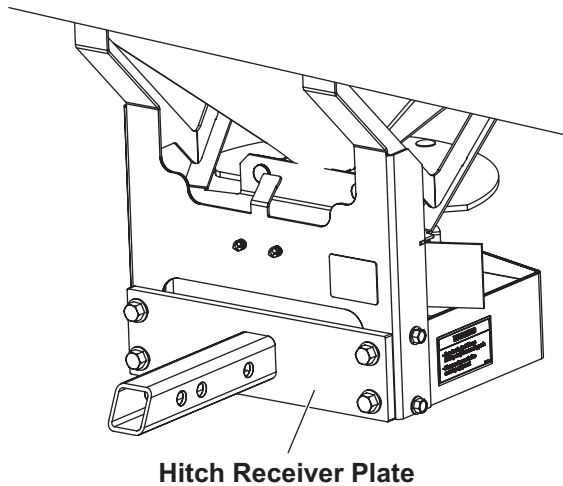
85316 Enclosure Plate Kit					
Item	Qty	Description	Item	Qty	Description
1	1	Enclosure Plate	4	2	1/4-20 Hex Locknut SS
2	2	1/4-20 x 3/4 Hex Cap Screw SS	5	1	5/8 ID Grommet
3	4	1/4 Flat Washer SS			
SS = Stainless Steel					

INSTALLATION INSTRUCTIONS

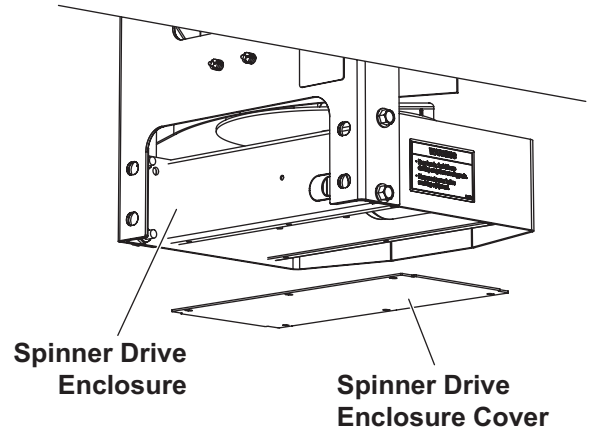
⚠ WARNING
 Do not exceed GVWR or GAWR, including blade and ballast. The rating label is found on the DRIVER-SIDE vehicle door cornerpost.

⚠ CAUTION
 Use standard methods and practices when attaching spreader and installing accessories, including proper personal protective safety equipment.

1. Park the vehicle on a smooth, level, hard surface, such as concrete. Turn the vehicle ignition to the "OFF" position and remove the key.
2. Disconnect the main spreader harness from the vehicle harness.
3. Remove the spreader from the vehicle.
4. Remove the hitch receiver plate.



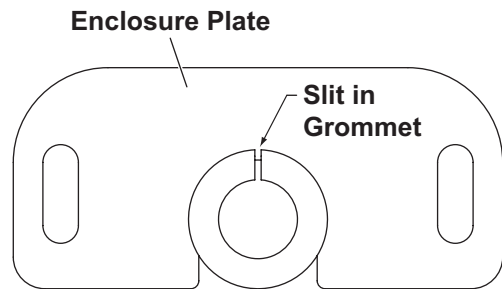
5. Remove the spinner drive enclosure cover.



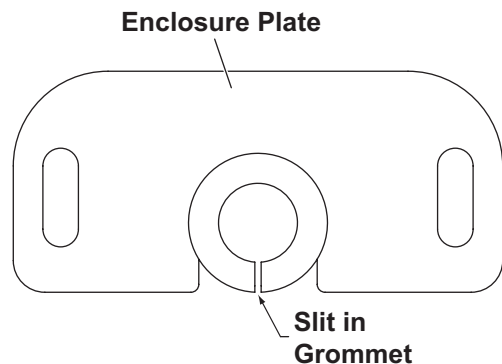
6. Remove and clean all salt from the enclosure.

NOTE: Use dielectric grease on all electrical connections.

7. Attach the supplied rubber grommet to the main spreader harness, accessory wires (if being used), and enclosure plate.
 - a. If accessory wires are not being used, verify the grommet is positioned with the slit facing up.



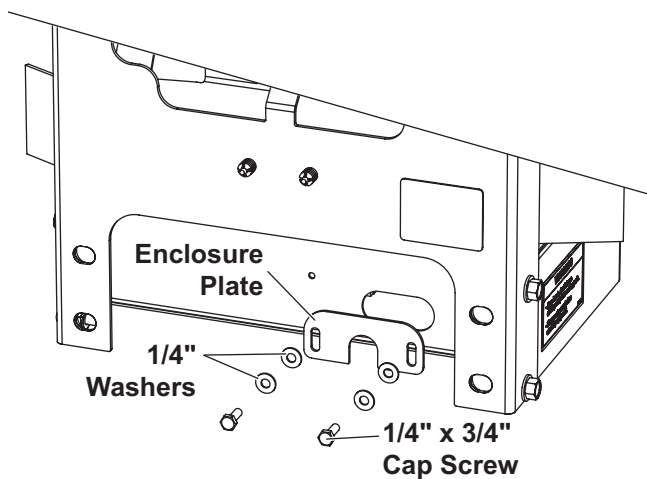
- b. If accessory wires are being used, verify the grommet is positioned with the slit facing down.



⚠ CAUTION

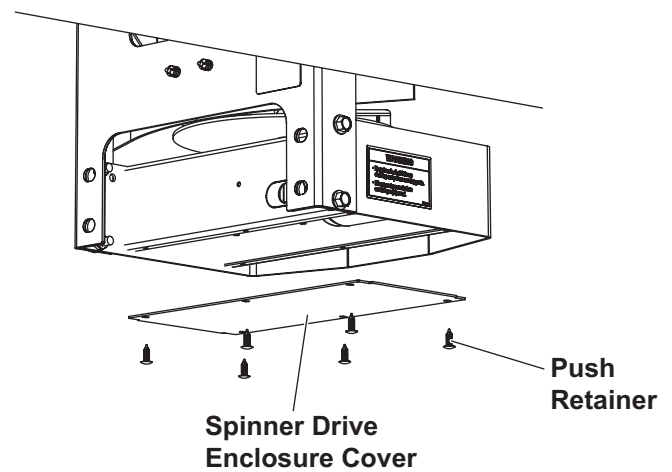
Before drilling any holes, check both sides of the material for any wires, fuel lines, fuel tanks, etc. that may be damaged by drilling.

8. Using the supplied enclosure plate as a template, drill two 9/32" holes through the spinner drive enclosure cover.
9. Use the 1/4" cap screws, flat washers, and locknuts to loosely secure the enclosure plate to the spinner drive enclosure. Do not fully tighten the cap screws at this time.



10. Slide the enclosure plate down until the grommet groove fits over the spinner drive enclosure, removing any gap. Fully tighten the cap screws and locknuts.
11. If using accessories, use a zip tie to secure all harnesses that are coming out of the enclosure together.

12. Reattach the spinner drive enclosure cover using the supplied push retainers.



13. Reattach the hitch receiver plate.

Copyright © 2017 Douglas Dynamics, LLC. All rights reserved. This material may not be reproduced or copied, in whole or in part, in any printed, mechanical, electronic, film or other distribution and storage media, without the written consent of the company. Authorization to photocopy items for internal or personal use by the company's outlets or spreader owner is granted.

The company reserves the right under its product improvement policy to change construction or design details and furnish equipment when so altered without reference to illustrations or specifications used. This equipment manufacturer or the vehicle manufacturer may require or recommend optional equipment for spreaders. Do not exceed vehicle ratings with a spreader. The company offers a limited warranty for all spreaders and accessories. See separately printed page for this important information.

Printed in U.S.A.
