



WESSEX ATV SPRAYER

OPERATING MANUAL AND PARTS BOOK

WS-604-608-618

Product Code: L2018



WELCOME TO YOUR NEW WESSEX ATV SPRAYER

Thank you for purchasing a Wessex ATV Sprayer. As a Wessex customer, you now number among the most important people of our business and we will endeavour to give you the best service available through our dealer network.

Please read this Manual carefully and familiarise yourself, and other persons that will be using the machine, with its contents to ensure the optimum performance and working life of your machine. It is advisable that a copy of this Manual is kept in the workshop and one copy with the machine. Further copies are available through your dealer.

On delivery, your dealer should go through the workings of the machine with you, explaining the setting up procedures, all of which are contained in this manual for further reference. The Warranty Registration Form must also be completed and returned to us **within 7 days of delivery** in order to validate the Warranty.

PLEASE READ THE FOLLOWING PAGES CAREFULLY BEFORE USING YOUR MACHINE AND KEEP THIS MANUAL IN A SAFE PLACE.



THIS SAFETY SYMBOL IS TO ALERT OPERATORS OF A HAZARD THAT MAY RESULT IN INJURY. ALWAYS FOLLOW INSTRUCTIONS CAREFULLY.

READ THE FOLLOWING CAREFULLY. IMPORTANT SAFETY INSTRUCTIONS ON COUPLING IMPLEMENTS AND ATTACHMENTS TO ATV'S



Training

- It is strongly advised that all operators of ATV's are trained by a certified training organization.

Body Protection

- Remember that when riding on an ATV the only form of protection that you have is what you wear. **ALWAYS** wear a helmet, eye protection and suitable robust clothing.
- Never operate an ATV or attachments while under the influence of alcohol or non-prescription drugs.
- Contact your doctor before operation of an ATV or attachments while under the influence of any prescription drugs.

ATV Manual

- Before coupling any implement to your ATV refer to your ATV handbook.

Stability

- When using equipment coupled to an ATV it is **very important** to remember that the handling characteristics of your ATV will change dramatically, whether the additional load is placed on the front or rear rack or trailed on the towing ball hitch.

Weight Capacity

- Always ensure that the implement or attachment that you are coupling to the ATV is within the ATV's drawbar loading or weight carrying capacity. Refer to the ATV manufacturer's handbook to obtain information on the specific capacities.
- It is most important that you know the weight of your load, especially when on slopes or hillsides.
- As a guide, on level ground with an unbraked implement, the weight of the implement should be approximately no more than twice the un-laden weight of the ATV. This should be reduced on sloping, uneven or rough ground.

Weight Transfer

- Always take great care when towing loads which may be subject to weight transfer e.g. liquids or livestock, especially on hillsides and slopes.
- Always restrict the movement of animals or rolling objects in a trailer.

Towing

- Never tow loads larger or heavier than recommended for your ATV. (See ATV hand book)
- Never tow or turn across a slope.
- Never tow down a steep slope with a large or heavy load.
- When towing heavy loads there is a significant risk of jack knifing or overturning.

Rough Terrain

- Always take care when operating implements on rough terrain or uneven ground.
- Take special care when operating on slippery surfaces especially hill sides or slopes.
- Take extra care when towing on hillsides, slopes or rough terrain.

Operating on roads

- Implements are not designed for travelling distances on roads but when crossing or going short road distances always travel slowly and do not exceed 20 KPH.
- Make sure that your equipment complies with Road vehicle lighting regulations.
- Ensure that you have the correct insurance cover and comply with all relevant laws.

Load Security

- Always secure your load firmly with ratchet straps.
- Make sure that your load is evenly distributed.
- Never stack a high load, high loads increase the risk of overturning.

Passengers

- Never carry passengers on any kind of implement or attachment, especially children.

Maintenance

- Service your ATV and attachments as per the manufacturer's handbook. Regular servicing of your ATV will ensure that it will steer, stop and handle to its best ability and your attachment will operate as safely and effectively as possible. Regular servicing helps ensure the longest possible working life for your equipment.

Equipment Safety Inspection

- Check tyre pressure, incorrect tyre pressure can seriously affect the handling of your ATV. (See Operators handbook)
- Maintain your equipment regularly to keep it in safe working order.

Route/Risk Assessment

- Assess and plan the route that you intend to travel to avoid any type of hazards i.e. rocks, boulders, ditches, hidden fences or wire, pot holes, low hanging branches or any other type of hazard.
- Where possible stay with a routine route to avoid hazards.
- The risk may change in wet or wintery conditions, avoid slopes where possible.

IMPORTANT SAFETY WARNINGS



Wessex Sprayers are guarded for your protection but you must always observe certain elementary precautions. Sprayers are potentially dangerous machines and should be used with the greatest respect. Ensure that all operators are aware of the following.

1. Never attempt any adjustment whatever unless the machine and **ALL** its moving parts are **COMPLETELY** at a standstill.
2. Never attempt to clear any obstructions around the machine unless **ALL** its moving parts are **COMPLETELY** at a standstill, and the engine is switched off.
3. Never remove belt guards before all moving parts have come to a **complete standstill** and the **engine is switched off**.
4. Never operate the machine with the safety guards removed. They are there for your protection.
5. Never operate the machine with people behind; keep everybody (especially children) at a safe distance (minimum 20 metres).
6. Stand well back from the machine when the brushes are spinning.
7. Read the instruction manual supplied with this booklet relating to the engine fitted to your machine.
8. Observe all Health & Safety Executive guidelines and the recommendations of the chemical manufacturer.
9. Care should be taken when operating in windy conditions as spray drift may contaminate the operator or other desirable vegetation.
10. On completion the ATV and tank should be decontaminated, remembering that the runoff water may contain chemicals.
11. The ATV should not exceed 10km/h (6mph) when spraying.

HEALTH AND SAFETY - Noise at work Regulations -

In compliance with the above regulations, this machine has been tested in operation with the following result:



READING AT THE OPERATORS EAR

WESSEX ATV SPRAYER: ?? D.B.A

WARRANTY

Your Wessex product or equipment is warranted free from defect in workmanship or manufacture for one year from date of purchase. Any parts which appear to us to be defective, either in material or workmanship shall be replaced or repaired at no cost to the purchaser, subject to the following conditions:

1. The registration card enclosed with this booklet must be returned to us within seven days of purchase.
2. Any failure in the machine should be reported in the first instance immediately to your dealer, who will act on your behalf to resolve the matter to your satisfaction.
3. The defective parts will be returned by your dealer to us, accompanied by a full statement describing the failure and the circumstances and conditions in which the failure occurred.
4. The following are specifically excluded from our terms of warranty:
 - a) Fair wear and tear, especially to belts, brushes, blades and spinners.
 - b) Damage caused by neglect or lack of lubrication.
 - c) Damage caused by misuse or abuse.
 - d) Damage caused whilst the machine is in transit.
 - e) Damage caused to the machine by use with loose nuts, bolts, screws or any other type of fittings.
5. The warranty is for the benefit of the first user only.
6. Broadwood International decisions will be final and binding.

NOTE:

It is recommended that every machine is inspected after one hour of operation to check that all nuts, bolts, screws or any other type of fixings are tight and any loose fittings or components should be rectified as appropriate.

Further inspections should be carried out at regular intervals thereafter.

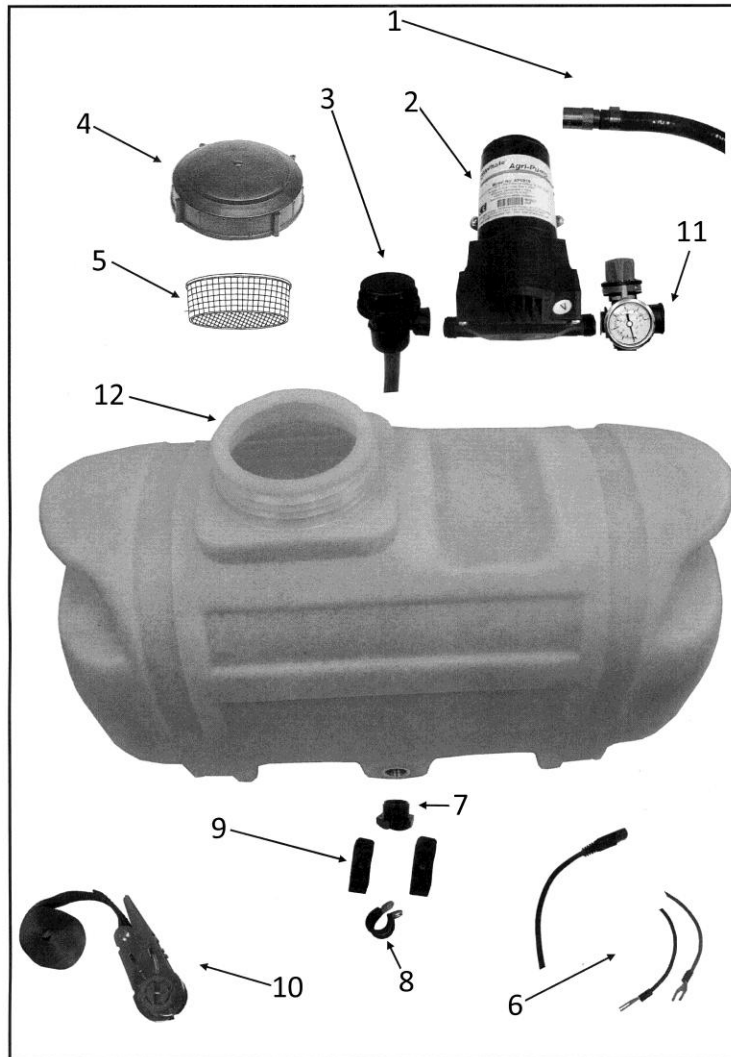
FITTING TO THE ATV AND OPERATION

1. The ATV sprayer comes with a fitting kit.
2. First, connect the electrical lead to the battery
 - Brown/Red = Positive
 - Blue/Black = Negative
3. If a spray boom is to be used it should be fitted next. Fix the brackets supplied to the bottom of the tank with the Allen screws and washers.
4. Mount the tank using the ratchet strap.
5. Plug in the electrical cord. Any excess cord should be securely fastened.
6. Slide the spray boom frame into the brackets and secure with locking pins. The recommended boom height is 500mm above the target.
7. Connect the supply pipe to the spray boom or hand lance using the quick coupler.
8. The spray tank can now be filled with water.
9. Remember that it will take a little time for the pipes to fill before the pump reaches its full pressure.
10. It is advisable to attach the hand lance first then open the trigger with the pump running to exhaust any air.
11. Operators should check the deliveries and rates of chemical application before adding chemicals to the tank.
12. Chemicals should be mixed well in a small amount of water so as to be 'in solution' before adding to the tank.
13. Nozzles fitted to the sprayer are carefully matched to the output of the pump. If replacement nozzles are fitted they must be of the same delivery as the originals or damage to the pump may occur.

MAINTENANCE

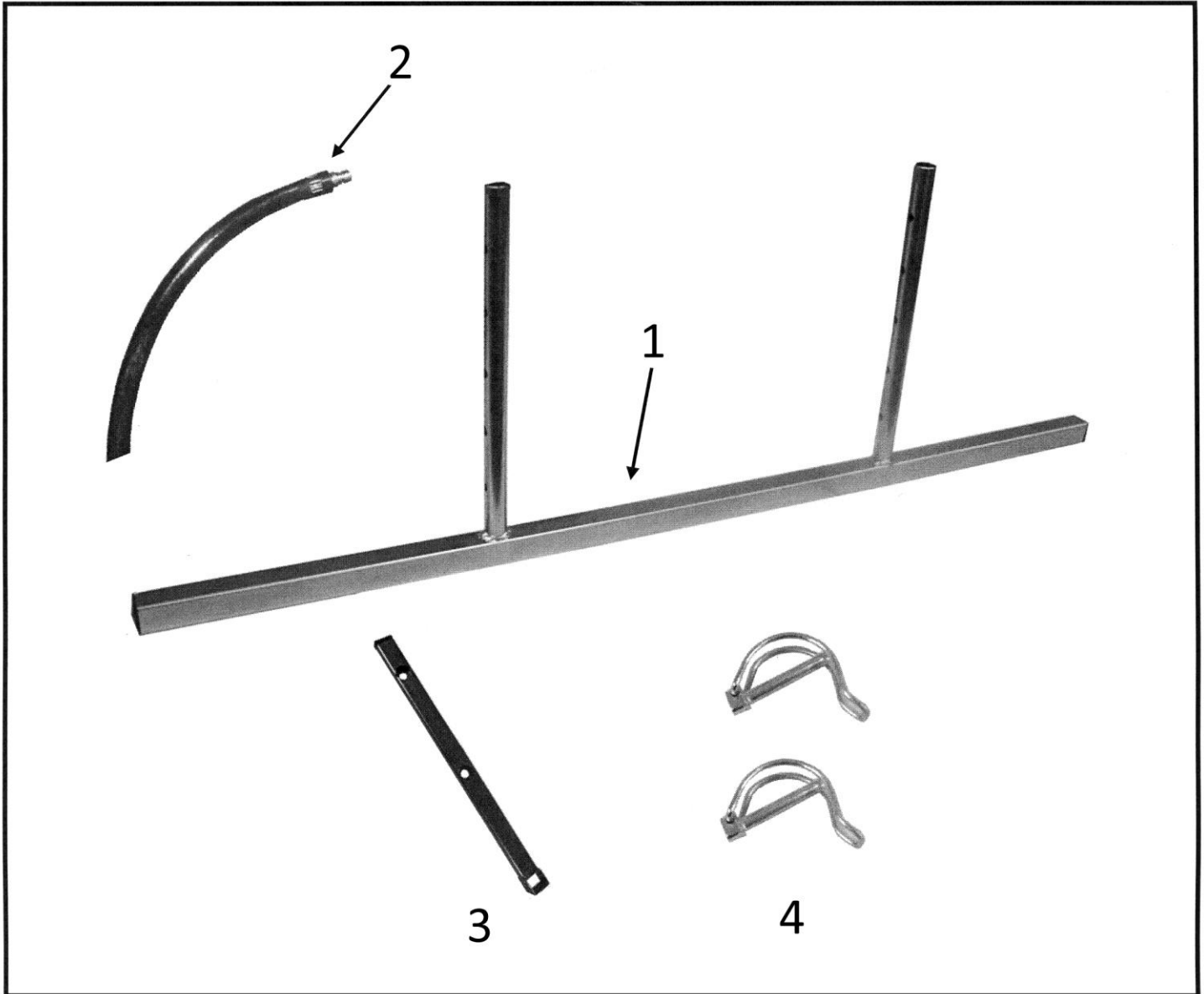
1. Cleanliness preserves sprayer accuracy and longevity.
2. Ensure filters are cleared and flushed.
3. Flush with clean water after use, and run pump with clean water.
4. Either dry out or flush with anti-freeze before storing.

PARTS LIST



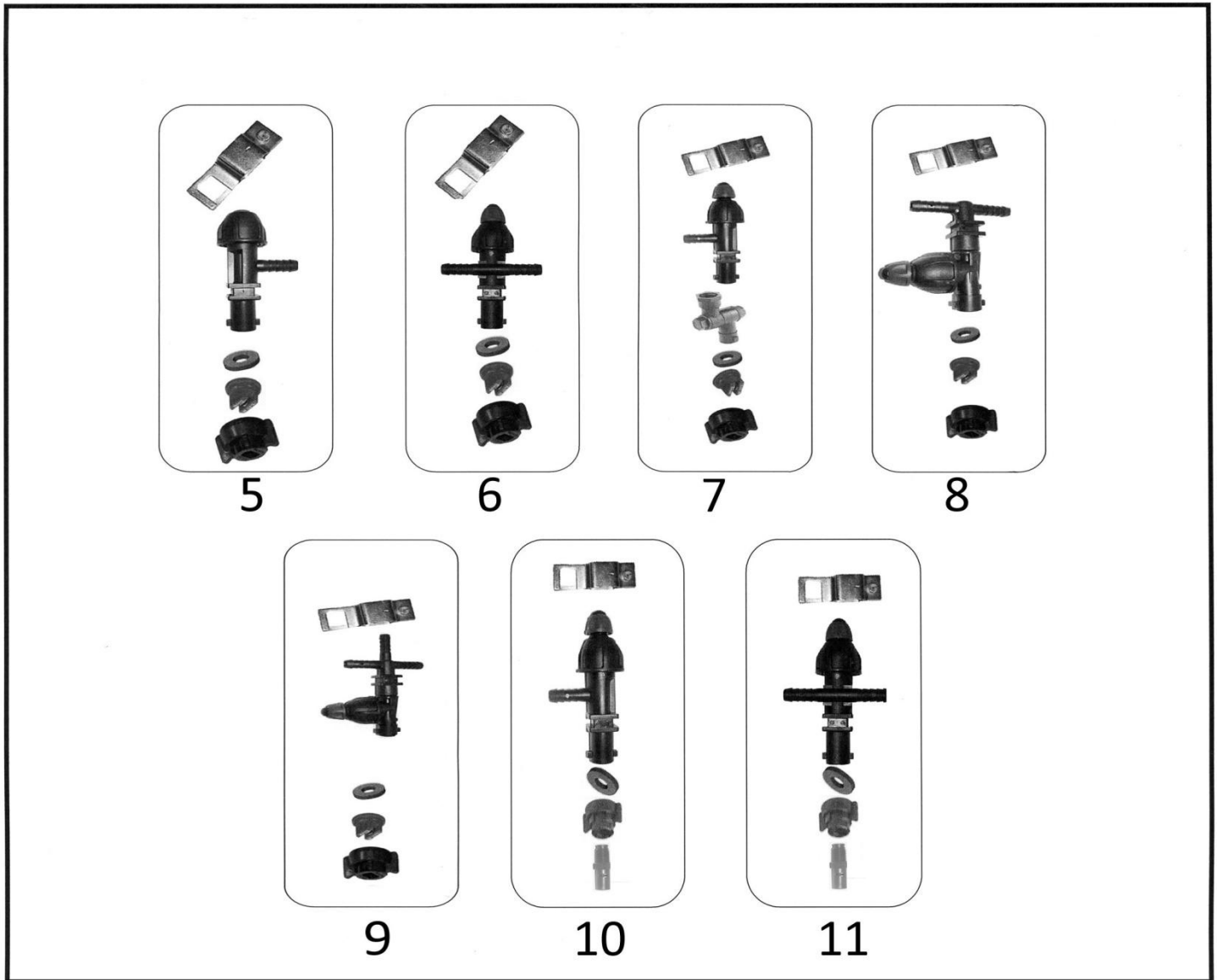
POSITION	PART NO.	DESCRIPTION	MODEL
1	AP046	Hose & quick coupling	All
2	2200	Pump 3.8L/min	WS604
	AP0818	Pump 8L/min	WS608
	AP1818	Pump 18L/min	WS618
Not shown	AP264	Suction hose & filter	WS604
3	AP265	Suction hose & filter	WS608/618
4	AP112	Lid & seal	All
5	AP125	Lid filter	All
6	AP260	Electrical lead with switch	WS604
	AP260/5	Electrical lead with switch and 5A fuse	WS608
	AP260/12	Electrical lead with switch and 12A fuse	WS618
7	AP251	Drain plug	All
8	AP255	Pipe steady	All
9	AP254	Lance holders	All
10	AP253	Ratchet strap	All
11	AP256	Pressure control + Gauge	WS608P/618P
12	AP250	5.5 litre Tank	All
Not Shown	AK1317	Pump pressure switch	WS608/618

PARTS LIST



POSITION	PART NO.	DESCRIPTION	MODEL
1	AP257	Boom frame	All
2	AP048	Hose and male connector	All
3	AP258	Tank bracket	All
4	AP259	Securing pin	All

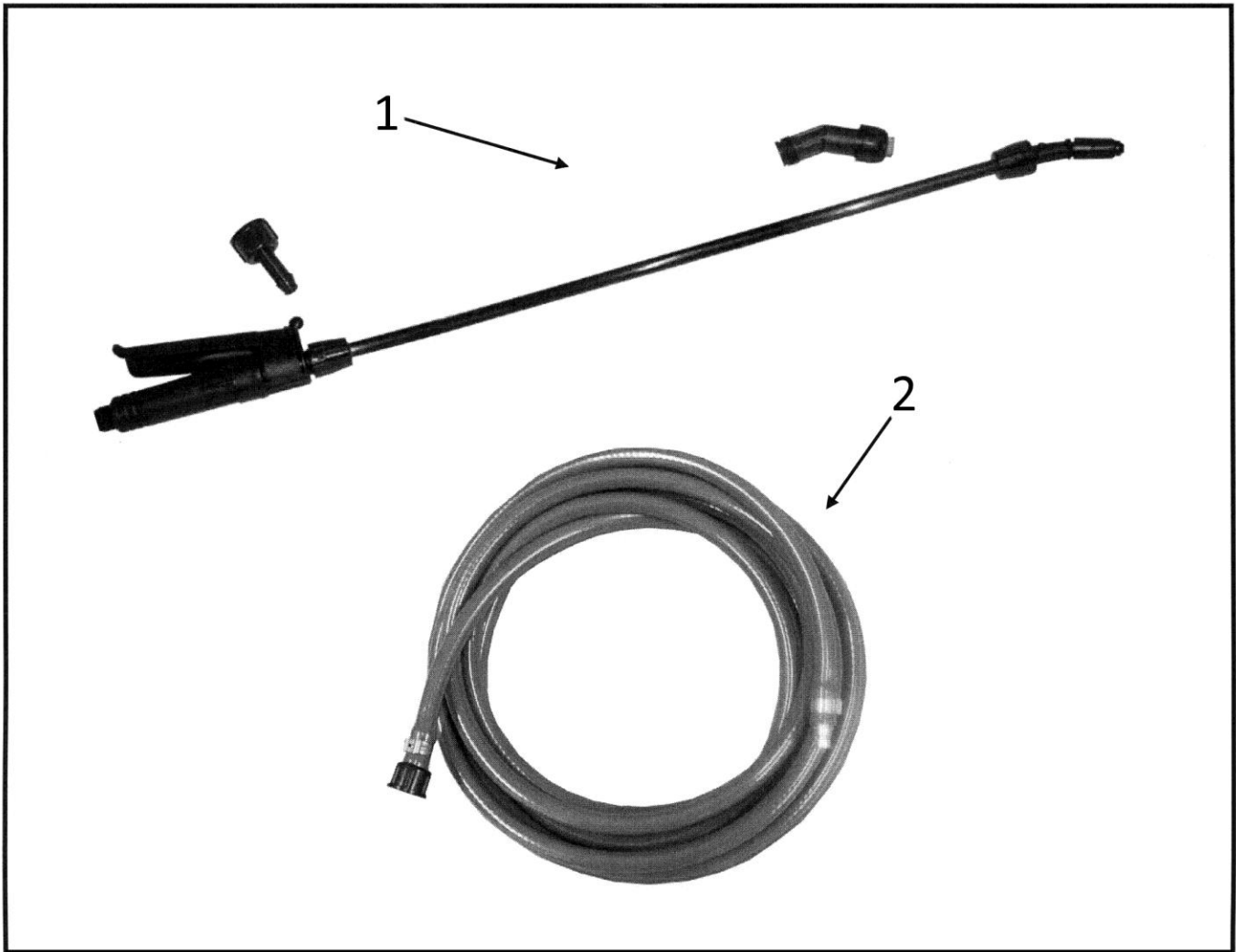
PARTS LIST



POSITION	PART NO.	DESCRIPTION	CONTAINS	MODEL
5	AP271	End Nozzle Assembly Complete	<ul style="list-style-type: none"> ▪ Clamp complete ▪ Single body ▪ Seal ▪ Red nozzle ▪ Nozzle cap black 	1.5m Boom
	AP272	End Nozzle Assembly Complete	<ul style="list-style-type: none"> ▪ Clamp complete ▪ Single body ▪ Seal ▪ Grey nozzle ▪ Nozzle cap black 	2.0m Boom
	AP269	End Nozzle Assembly Centre Complete	<ul style="list-style-type: none"> ▪ Clamp complete ▪ Single body ▪ Seal ▪ Brass nozzle ▪ Nozzle cap black 	3.0m Boom

6	AP344	Nozzle Assembly Centre Complete	<ul style="list-style-type: none"> ▪ Clamp complete ▪ Double body ▪ Seal ▪ Red nozzle ▪ Nozzle cap black 	3.0m Boom to fit SS618
7	AP273	End Nozzle Assembly Complete	<ul style="list-style-type: none"> ▪ Clamp complete ▪ Single body with swivel ▪ Seal ▪ Brass nozzle ▪ Nozzle cap black 	3.0m Hedgerow Boom
8	AP345	Nozzle Assembly Complete	<ul style="list-style-type: none"> ▪ Clamp complete ▪ Double body ▪ Seal ▪ Brass nozzle off centre ▪ Nozzle cap black 	3.0m Hedgerow Boom
9	AP344	Nozzle Assembly Centre Complete	<ul style="list-style-type: none"> ▪ Clamp complete ▪ Triple body ▪ Seal ▪ Red nozzle ▪ Nozzle cap black 	3.0m Hedgerow Boom
10	AP270	Nozzle Assembly Complete	<ul style="list-style-type: none"> ▪ Clamp complete ▪ Single body ▪ XP10L nozzle ▪ Threaded cap 	5.0m Boom
11	AP272	Nozzle Assembly Complete	<ul style="list-style-type: none"> ▪ Clamp complete ▪ Double body ▪ XP10R nozzle ▪ Threaded cap 	5.0m Boom

PARTS LIST



POSITION	PART NO.	DESCRIPTION	MODEL
1	AP058	Complete hand lance	All
2	AP059	Complete hose (5M)	All



Certificate of **CE** *Conformity*

Machine Model: Wessex ATV Sprayer WS-614-608-618

Description: ATV Sprayer

*I hereby certify that the machine detailed hereon
conforms to:*

European Directives 2006/42/EC

As amended 91/368EEC – 93/44EEC – 93/68EEC in conjunction with HSE A15 33

Signed:

A handwritten signature in black ink, appearing to be 'R. James', is written over a horizontal line.

Date: 24/11/2010

Robert James



Wessex International

Charlton House, Caxton Close, East Portway Industrial Estate, Andover, Hampshire, SP10 3QN
T: 01264 345870 F: 01264 345880 E: info@wessexintl.com



Wessex International
Charlton House, Caxton Close, East Portway Industrial Estate, Andover, Hampshire, SP10 3QN

Telephone: 01264 345870 Fax: 01264 345880
e-mail: sales@wessexintl.com

www.wessexintl.com